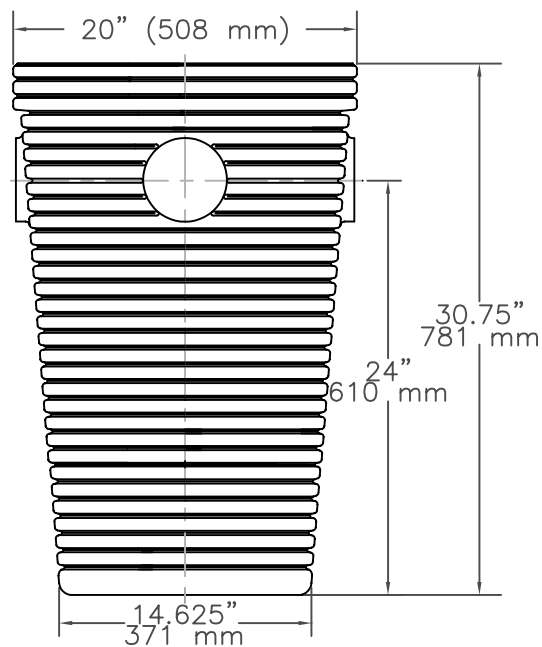
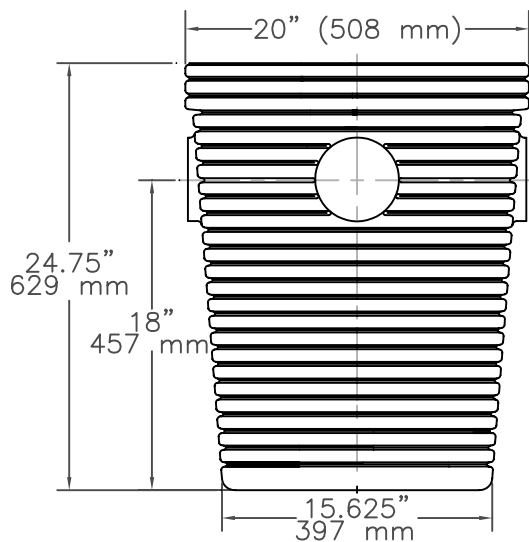


# SUMPS

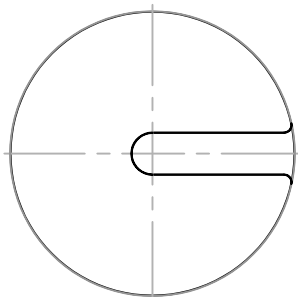
PART Nº 1530-AC

PART Nº 1524-AC

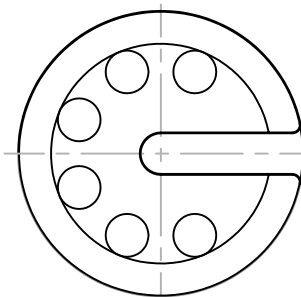


# LIDS

PART Nº 1537-AD  
HEAVY DUTY

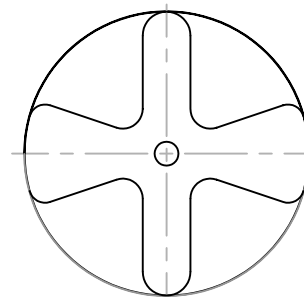


TOP



BOTTOM

PART Nº 1536-AD  
REGULAR



PART ONLY HAS ONE SIDE

NOTE: ALL DIMENSIONS ARE NOMINAL

			REVISIONS		
			BY	DATE	
DRAWN BY JDP	07.25.02	APPROVED BY AWM	10.06.02	DRAWING # 6005	