

ADS RADON DUAL PURPOSE VENTED SUMP SPECIFICATION

Scope

This specification describes the ADS Radon Dual Purpose Vented Sump System for use in residential drainage and ventilation of toxic or noxious gas applications.

Requirements

The Radon Dual Purpose Vented Sump shall be available in 14-gallon (53 liter) capacity. The sump well shall have three pre-formed inlet collars sized to fit 4-inch (100 mm) corrugated polyethylene drainage lines. Each well shall have a molded side panel designed to accept the outside basement perimeter line at any elevation along the well wall. The lid shall be pre-drilled to accept 1¼-inch (32mm), 1½-inch (38mm), 2 inch (50mm), or 3-inch (75mm) vent and discharge pipes. Rubber o-rings for these pipes, as well as rubber pump wire plug shall be included with the lid kit.

Material Properties

Radon Dual Purpose Vented Sump shall be high density polyethylene.

Installation

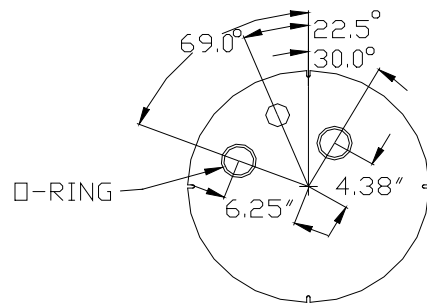
Installation shall be in accordance with ADS installation instructions and those issued by regional, state, or local agencies.

	A	B	C	D	E	F	G	H
14-gallon 53 liter	12" 305mm	8" 203mm	14.25" 362mm	4.75" 121mm	20.38" 518mm	18.13" 460mm	24" 610mm	20.06" 510mm

Items Included With Lid Kit

Qty.

- 1 Gasket for 4" Sch 40 or SDR 35 PVC inlet line
- 1 Gasket for 2" and 3" Sch 40 PVC vent pipe
- 1 Gaskets for 2", 1 ½", and 1 ¼" Sch 40 PVC pump discharge pipes
- 1 Electrical Cord Stopper
- 1 1" Adhesive Foam Tape



Items Needed For Lid Kit (Sold Separately)

Qty.

- 4 Hex Head Lag Screws ¼" x 1 ½" (minimum)
- 4 Flat Washers ¼"
- 4 Concrete Floor Anchors

