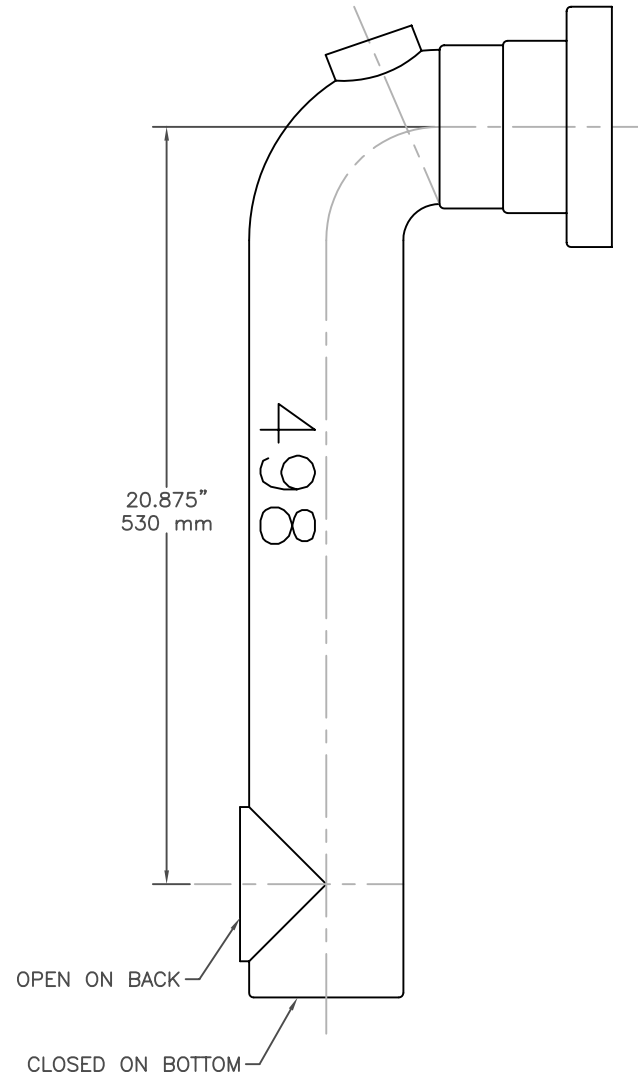
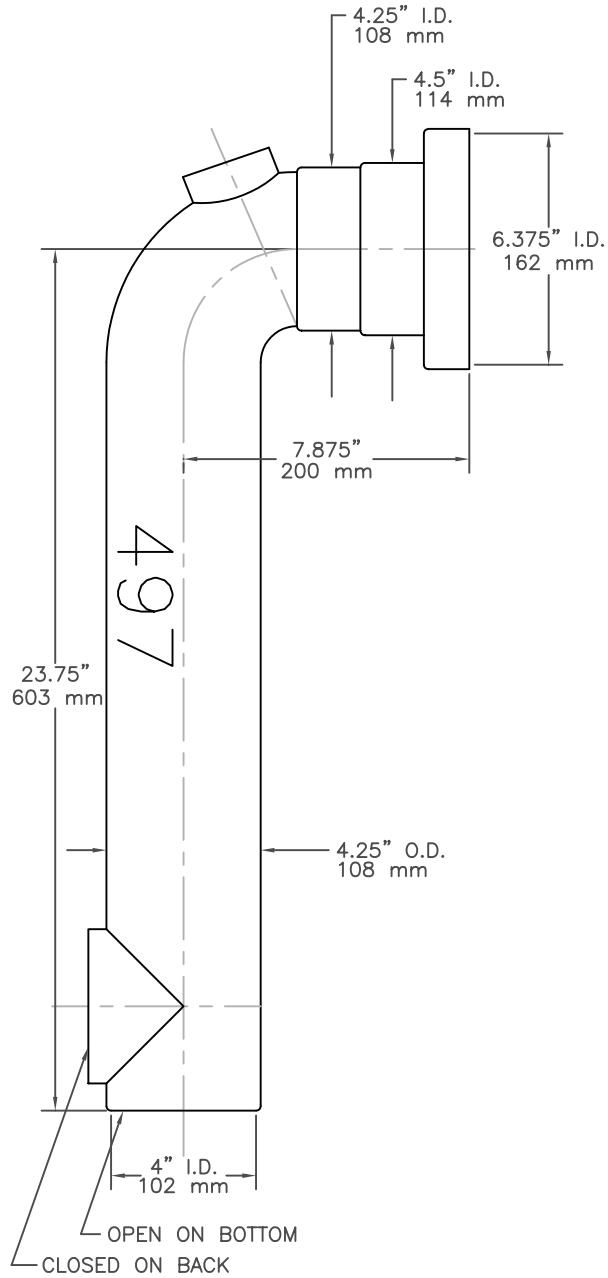



SEPTIC TANK ELBOWS



NOTE: ALL DIMENSIONS ARE NOMINAL

 ADVANCED DRAINAGE SYSTEMS, INC.			REVISIONS		
			BY	DATE	
DRAWN BY	07.25.02	APPROVED BY	10.06.02	DRAWING #	6035
JDP		AWM			