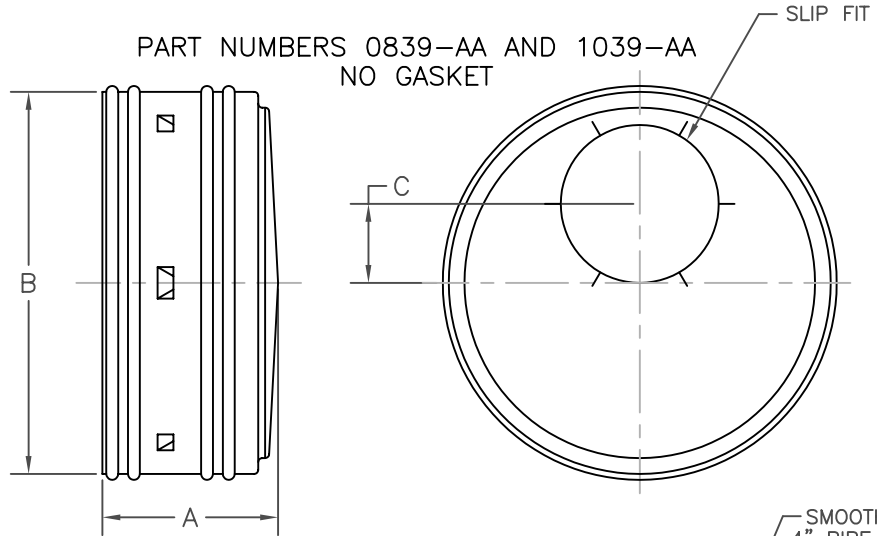
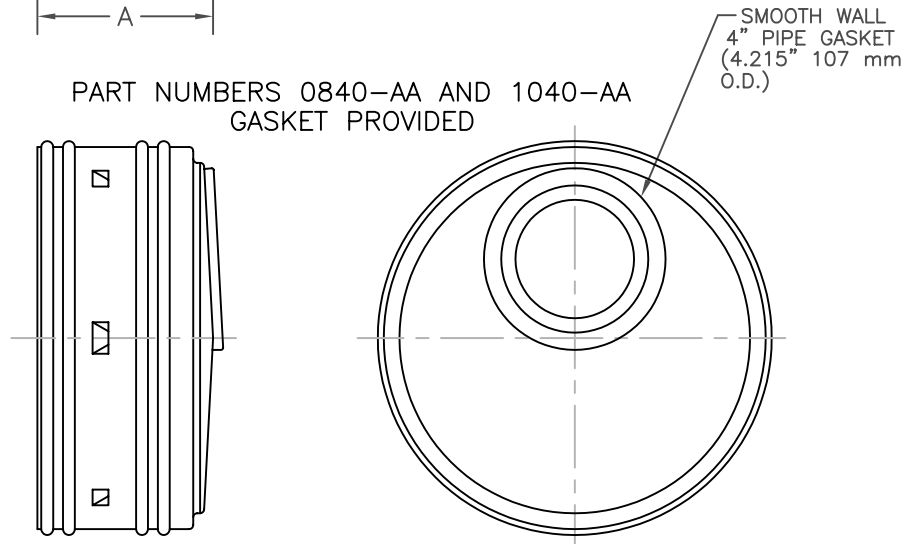


SB2 ADAPTERS

PART NUMBERS 0839-AA AND 1039-AA
NO GASKET



PART NUMBERS 0840-AA AND 1040-AA
GASKET PROVIDED



PART #	PIPE SIZE	A	B	C
0839AA	8 in	4.25 in	9.75 in	1.13 in
0840AA	(200 mm)	(108 mm)	(248 mm)	(29 mm)
1039AA	10 in	5.50 in	12.25 in	2.50 in
1040AA	(250 mm)	(140 mm)	(311 mm)	(64 mm)

NOTE: ALL DIMENSIONS ARE NOMINAL

			REVISIONS		
			BY	DATE	
DRAWN BY JDP	07.25.02	APPROVED BY AWM	10.06.02	DRAWING # 6040	