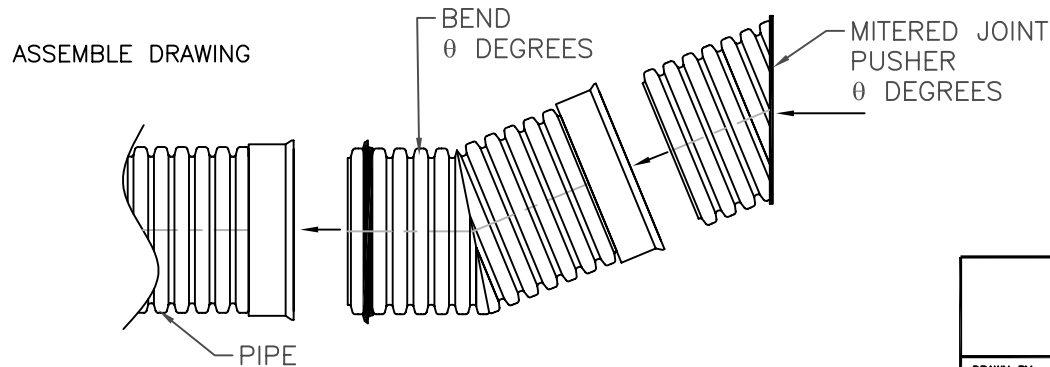
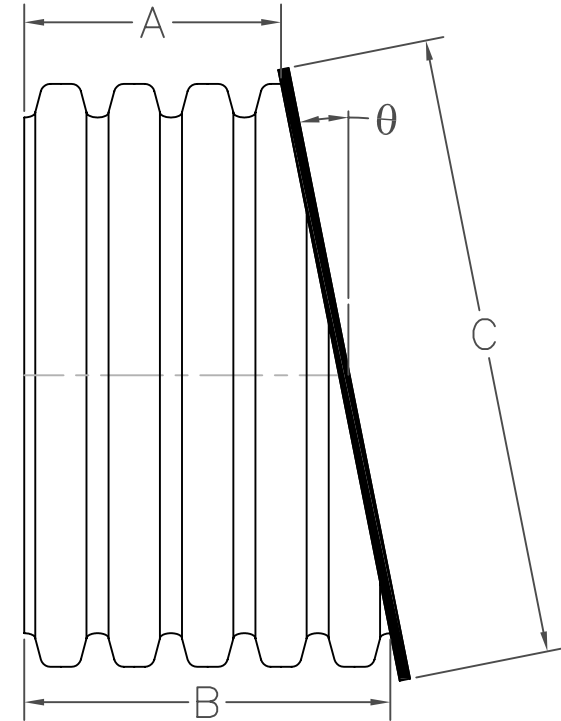


N-12 MITERED JOINT PUSHER
MITERED JOINT PUSHER

| PART # | PIPE SIZE | A | B | C | θ |
|------------|-------------------|----------------------|----------------------|-----------------------|----------|
| 2408ANMP03 | 24 in (600 mm) | 11.03 in (280 mm) | 12.48 in (317 mm) | 28.84 in (733 mm) | 3 |
| 3008ANMP03 | 30 in (750 mm) | 14.42 in (366 mm) | 16.26 in (413 mm) | 36.15 in (918 mm) | 3 |
| 3608ANMP03 | 36 in (900 mm) | 18.36 in (466 mm) | 20.56 in (522 mm) | 42.76 in (1086 mm) | 3 |
| 2408ANMP05 | 24 in (600 mm) | 11.03 in (280 mm) | 13.46 in (342 mm) | 28.91 in (734 mm) | 5 |
| 3008ANMP05 | 30 in (750 mm) | 14.42 in (366 mm) | 17.49 in (444 mm) | 36.23 in (920 mm) | 5 |
| 3608ANMP05 | 36 in (900 mm) | 18.36 in (466 mm) | 22.02 in (559 mm) | 42.86 in (1089 mm) | 5 |
| 2408ANMP11 | 24 in (600 mm) | 11.03 in (280 mm) | 16.55 in (420 mm) | 29.34 in (745 mm) | 11.25 |
| 3008ANMP11 | 30 in (750 mm) | 14.42 in (366 mm) | 21.40 in (544 mm) | 36.79 in (934 mm) | 11.25 |
| 3608ANMP11 | 36 in (900 mm) | 18.36 in (466 mm) | 26.67 in (677 mm) | 43.52 in (1105 mm) | 11.25 |
| 2408ANMP22 | 24 in (600 mm) | 11.03 in (280 mm) | 22.54 in (573 mm) | 31.09 in (790 mm) | 22.5 |
| 3008ANMP22 | 30 in (750 mm) | 14.42 in (366 mm) | 28.96 in (736 mm) | 39.99 in (1016 mm) | 22.5 |
| 3608ANMP22 | 36 in (900 mm) | 18.36 in (466 mm) | 35.65 in (906 mm) | 46.14 in (1172 mm) | 22.5 |



θ REPRESENTS THE DEGREE OF BEND ONE IS ASSEMBLING.

NOTE: ALL DIMENSIONS ARE NOMINAL

| | | | | | |
|-----------------|----------|--------------------|-----------|-------------------|--|
| | | | REVISIONS | | |
| | | | BY | DATE | |
| DRAWN BY AWM | 03.14.05 | APPROVED BY AWM | 03.14.05 | DRAWING # 6086 | |