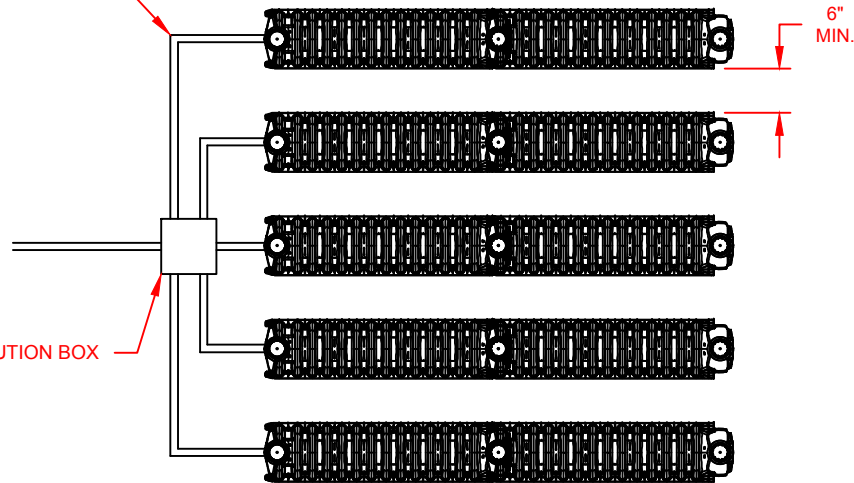


SEWER & DRAIN AND/OR
TRIPLEWALL OR
PER LOCAL REGULATION

DISTRIBUTION BOX



NOTES:

1. EXCAVATE AND LEVEL INSTALLATION AREAS.
2. SMOOTH IRREGULARITIES IN THE EXCAVATION. A LEVEL, FLAT SURFACE IS REQUIRED.
3. INSTALL ARC LEACHING CHAMBERS IN ADJACENT ROWS TO COVER DESIRED AREA.
4. INSTALL UNIVERSAL END CAP AND SECURE IN PLACE WITH BACKFILL.
5. INSTALL 4" PIPE TO EACH ROW OF ARC CHAMBER USING KNOCKOUTS PROVIDED IN THE UNIVERSAL END CAPS.
6. ENDS OF ROWS MAY BE CONNECTED WITH PIPING TO IMPROVE DISTRIBUTION.
7. FILL PERIMETER AND INTERIOR SIDEWALL AREAS TO TOP OF CHAMBERS AND WALK INTO PLACE. AVOID LARGE ROCKS OR DEBRIS IN COVER MATERIAL.
8. COVER ARC LEACHING CHAMBERS TO A MINIMUM OF 12" OF GRANULAR COVER AFTER CONSOLIDATION FOR H-10 APPLICATIONS. AVOID LARGE ROCKS OR DEBRIS IN COVER MATERIAL. COVER HEIGHTS AND LIVE LOADING LIMITS ARE IMPACTED BY BOTH SOIL TYPE AND COMPACTION REQUIREMENTS. CONTACT ADS WHEN POOR SOILS ARE ENCOUNTERED AND FOR MAXIMUM FILL HEIGHTS. LIVE LOAD CONDITIONS ARE NOT RECOMMENDED.

© 2016 ADS, INC.

1	FORMATTING UPDATES AND RENAMED	TJR	03/18/16	
REV.	DESCRIPTION	BY	MM/DD/YY	CHK'D

ADVANCED DRAINAGE SYSTEMS, INC. ("ADS") HAS PREPARED THIS DETAIL BASED ON INFORMATION PROVIDED TO ADS. THIS DRAWING IS INTENDED TO DEPICT THE COMPONENTS AS REQUESTED. ADS HAS NOT PERFORMED ANY ENGINEERING OR DESIGN SERVICES FOR THIS PROJECT, NOR HAS ADS INDEPENDENTLY VERIFIED THE INFORMATION SUPPLIED. THE INSTALLATION DETAILS PROVIDED HEREIN ARE GENERAL RECOMMENDATIONS AND ARE NOT SPECIFIC FOR THIS PROJECT. THE DESIGN ENGINEER SHALL REVIEW THESE DETAILS PRIOR TO CONSTRUCTION. IT IS THE DESIGN ENGINEERS RESPONSIBILITY TO ENSURE THE DETAILS PROVIDED HEREIN MEETS OR EXCEEDS THE APPLICABLE NATIONAL, STATE, OR LOCAL REQUIREMENTS AND TO ENSURE THAT THE DETAILS PROVIDED HEREIN ARE ACCEPTABLE FOR THIS PROJECT.

**ARC 18
CLUSTER INSTALLATION**

DRAWING NUMBER: STD-907A



DRAWN BY	AMK
DATE	10/10/08
CHK'D BY	CKS
SCALE	NTS
SHEET	OF