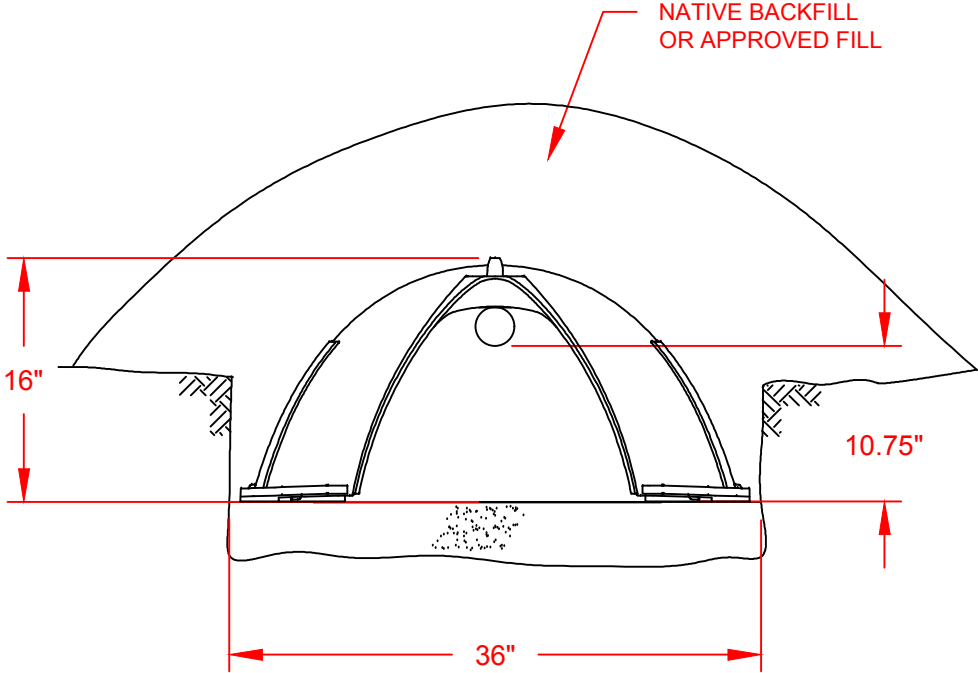


NOTES:


1. EXCAVATE TRENCHES TO PROPER DEPTH AS REQUIRED BY STATE AND LOCAL CODES.
2. SMOOTH IRREGULARITIES IN THE EXCAVATION. A LEVEL, FLAT SURFACE IS REQUIRED.
3. ASSEMBLE ARC LEACHING CHAMBERS AND UNIVERSAL ENDPLATES TOGETHER IN TRENCH(ES).
4. INSTALL UNIVERSAL END CAP AND SECURE IN PLACE WITH BACKFILL.
5. PUNCH OUT PIPE HOLE OPENINGS IN THE END PLATES AS NEEDED AND CONNECT INLET PIPES.
6. FILL SIDEWALL AREA TO TOP CHAMBERS WITH NATIVE SOIL (COARSE SAND OR FINE GRAVEL MAY ALSO BE USED: NO HEAVY CLAY, SILT, OR DEBRIS SHALL BE INCLUDED).
7. "WALK IN" FILL TO COMPACT SOIL ALONG SIDES OF ARC CHAMBER. THIS IS VERY IMPORTANT TO ACHIEVE LOAD RATING.
8. COVER ARC LEACHING CHAMBERS TO A MINIMUM OF 12" OF GRANULAR COVER AFTER CONSOLIDATION FOR H-10 APPLICATIONS. AVOID LARGE ROCKS OR DEBRIS IN COVER MATERIAL. COVER HEIGHTS AND LIVE LOADING LIMITS ARE IMPACTED BY BOTH SOIL TYPE AND COMPACTION REQUIREMENTS. CONTACT ADS WHEN POOR SOILS ARE ENCOUNTERED AND FOR MAXIMUM FILL HEIGHTS.



* WIDTH INCLUDES 2" OF SIDE WALL DISTANCE.

© 2016 ADS, INC.

ADVANCED DRAINAGE SYSTEMS, INC. ("ADS") HAS PREPARED THIS DETAIL BASED ON INFORMATION PROVIDED TO ADS. THIS DRAWING IS INTENDED TO DEPICT THE COMPONENTS AS REQUESTED. ADS HAS NOT PERFORMED ANY ENGINEERING OR DESIGN SERVICES FOR THIS PROJECT, NOR HAS ADS INDEPENDENTLY VERIFIED THE INFORMATION SUPPLIED. THE INSTALLATION DETAILS PROVIDED HEREIN ARE GENERAL RECOMMENDATIONS AND ARE NOT SPECIFIC FOR THIS PROJECT. THE DESIGN ENGINEER SHALL REVIEW THESE DETAILS PRIOR TO CONSTRUCTION. IT IS THE DESIGN ENGINEERS RESPONSIBILITY TO ENSURE THE DETAILS PROVIDED HEREIN MEETS OR EXCEEDS THE APPLICABLE NATIONAL, STATE, OR LOCAL REQUIREMENTS AND TO ENSURE THAT THE DETAILS PROVIDED HEREIN ARE ACCEPTABLE FOR THIS PROJECT.

1	FORMATTING UPDATES AND RENAMED	TJR	03/18/16	
REV.	DESCRIPTION	BY	MM/DD/YY	CHK'D
<p style="text-align: center;">ARC 36 HC AT GRADE INSTALLATION</p>				<p>4640 TRUEMAN BLVD HILLIARD, OHIO 43026</p>
DRAWING NUMBER: STD-908D		ADVANCED DRAINAGE SYSTEMS, INC.		<p>DESIGN BY: TJR DATE: 09/19/07 CVD BY: SCALE: NTS SHEET OF</p>