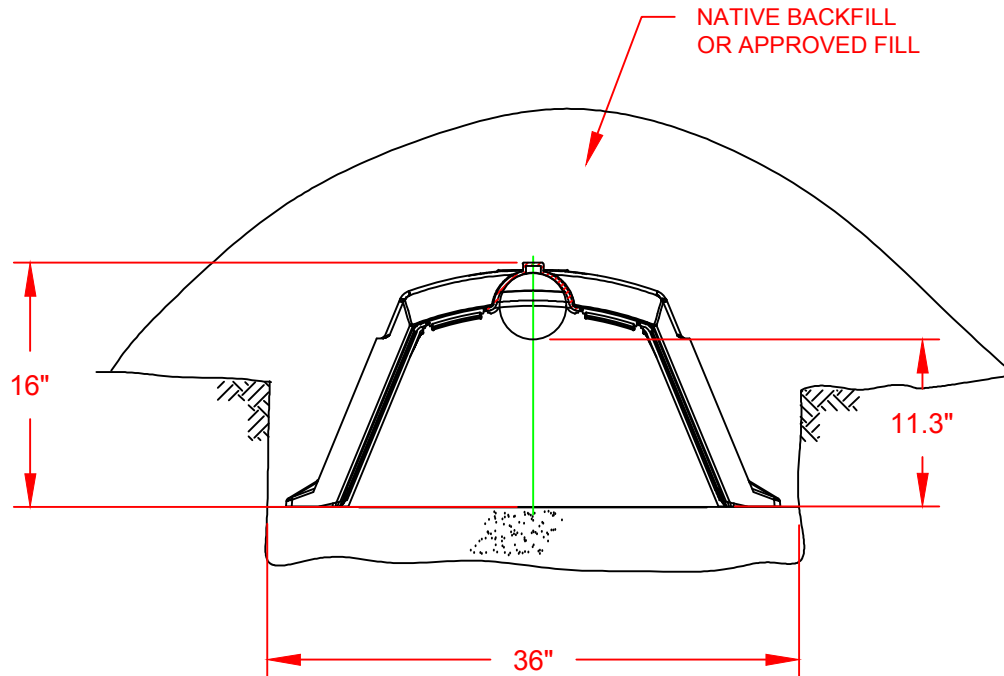


NOTES:

1. EXCAVATE TRENCHES TO PROPER DEPTH AS REQUIRED BY STATE AND LOCAL CODES.
2. SMOOTH IRREGULARITIES IN THE EXCAVATION. A LEVEL, FLAT SURFACE IS REQUIRED.
3. ASSEMBLE BIODIFFUSER LEACHING CHAMBERS AND UNIVERSAL ENDPLATES TOGETHER IN TRENCH(ES).
4. INSTALL UNIVERSAL END CAP AND SECURE IN PLACE WITH BACKFILL.
5. PUNCH OUT PIPE HOLE OPENINGS IN THE END PLATES AS NEEDED AND CONNECT INLET PIPES.
6. FILL SIDEWALL AREA TO TOP CHAMBERS WITH NATIVE SOIL (COARSE SAND OR FINE GRAVEL MAY ALSO BE USED: NO HEAVY CLAY, SILT, OR DEBRIS SHALL BE INCLUDED).
7. "WALK IN" FILL TO COMPACT SOIL ALONG SIDES OF BIODIFFUSER. THIS IS VERY IMPORTANT TO ACHIEVE LOAD RATING.
8. COVER BIODIFFUSER LEACHING CHAMBERS TO A MINIMUM OF 12" COVER. AVOID LARGE ROCKS OR DEBRIS IN COVER MATERIAL. COVER HEIGHTS ARE IMPACTED BY BOTH SOIL TYPE AND COMPACTION REQUIREMENTS. CONTACT ADS WHEN POOR SOILS ARE ENCOUNTERED AND FOR MAXIMUM FILL HEIGHTS. LIVE LOAD CONDITIONS ARE NOT RECOMMENDED.



\* WIDTH INCLUDES 2" OF SIDE WALL DISTANCE.

© 2016 ADS, INC.

2	FORMATTING UPDATES AND RENAMED	TJR	03/18/16	
REV.	DESCRIPTION	BY	MM/DD/YY	CHK'D

ADVANCED DRAINAGE SYSTEMS, INC. ("ADS") HAS PREPARED THIS DETAIL BASED ON INFORMATION PROVIDED TO ADS. THIS DRAWING IS INTENDED TO DEPICT THE COMPONENTS AS REQUESTED. ADS HAS NOT PERFORMED ANY ENGINEERING OR DESIGN SERVICES FOR THIS PROJECT, NOR HAS ADS INDEPENDENTLY VERIFIED THE INFORMATION SUPPLIED. THE INSTALLATION DETAILS PROVIDED HEREIN ARE GENERAL RECOMMENDATIONS AND ARE NOT SPECIFIC FOR THIS PROJECT. THE DESIGN ENGINEER SHALL REVIEW THESE DETAILS PRIOR TO CONSTRUCTION. IT IS THE DESIGN ENGINEERS RESPONSIBILITY TO ENSURE THE DETAILS PROVIDED HEREIN MEETS OR EXCEEDS THE APPLICABLE NATIONAL, STATE, OR LOCAL REQUIREMENTS AND TO ENSURE THAT THE DETAILS PROVIDED HEREIN ARE ACCEPTABLE FOR THIS PROJECT.

**16in HI CAPACITY BIODIFFUSER  
AT GRADE INSTALLATION**



4640 TRUEMAN BLVD  
HILLIARD, OHIO 43026

DRAWING NUMBER: STD-913B

DRAWN BY	KAH
DATE	12/8/04
CAD BY	
SCALE	NTS
SHEET	OF