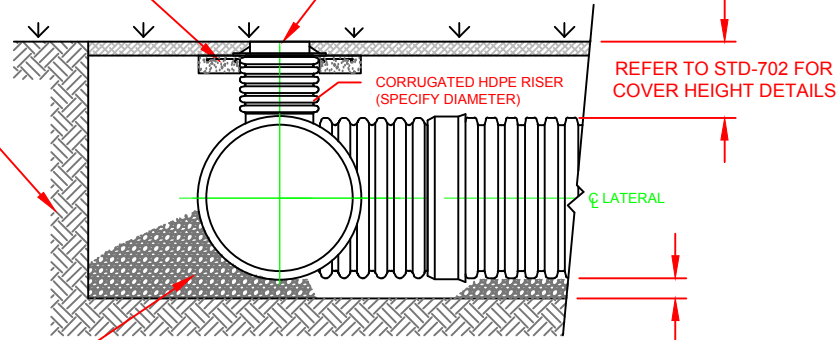


\* LOAD BEARING CONCRETE COLLAR AS SPECIFIED BY DESIGN ENGINEER (WHERE REQUIRED)

FRAME & GRATE (BY OTHERS)

UNDISTURBED EARTH



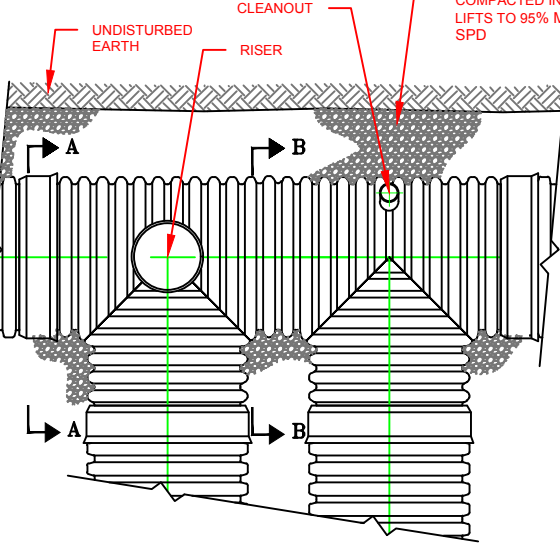
REFER TO STD-702 FOR COVER HEIGHT DETAILS

\* CLASS I OR II MATERIAL PER ASTM D2321, LATEST EDITION, COMPACTED IN MAX. 8" LOOSE LIFTS TO 95% MIN. OF MAX. SPD

\* BEDDING (CLASS I OR II MATERIAL) = 4" MIN. FOR 12" - 24" HDPE PIPE = 6" MIN. FOR 30"-60" HDPE PIPE

SECTION A-A

\* CLASS I OR II MATERIAL PER ASTM D2321, LATEST EDITION, COMPACTED IN MAX. 8" LOOSE LIFTS TO 95% MIN. OF MAX. SPD

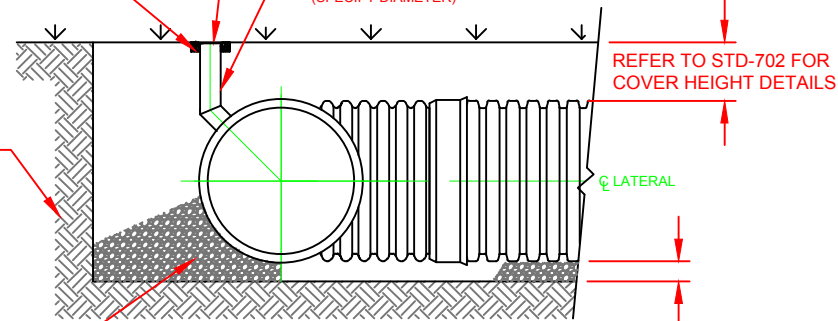


\* LOAD BEARING CONCRETE COLLAR AS SPECIFIED BY DESIGN ENGINEER (WHERE REQUIRED)

LID (AS REQUIRED)

SOLID WALL HDPE CLEANOUT (SPECIFY DIAMETER)

UNDISTURBED EARTH



REFER TO STD-702 FOR COVER HEIGHT DETAILS

CLASS I OR II MATERIAL PER ASTM D2321, LATEST EDITION, COMPACTED IN MAX. 8" LOOSE LIFTS TO 95% MIN. OF MAX. SPD

BEDDING (CLASS I OR II MATERIAL) = 4" MIN. FOR 12" - 24" HDPE PIPE = 6" MIN. FOR 30"-60" HDPE PIPE

SECTION B-B

\* CLASS I BACKFILL REQUIRED AROUND 60" DIAMETER FITTINGS

\* LOAD BEARING CONCRETE COLLAR SHALL BE CONSTRUCTED IN TRAFFIC AREAS SUCH THAT THE LIVE LOAD IS TRANSMITTED TO THE SURROUNDING SOIL AND NOT DIRECTLY TO THE RISER.

© 2016 ADS, INC.

4	GENERAL UPDATES AND RENAMED	TJR	02/19/16	
REV.	DESCRIPTION	BY	MM/DD/YY	CHK'D

ADVANCED DRAINAGE SYSTEMS, INC. ("ADS") HAS PREPARED THIS DETAIL BASED ON INFORMATION PROVIDED TO ADS. THIS DRAWING IS INTENDED TO DEPICT THE COMPONENTS AS REQUESTED. ADS HAS NOT PERFORMED ANY ENGINEERING OR DESIGN SERVICES FOR THIS PROJECT, NOR HAS ADS INDEPENDENTLY VERIFIED THE INFORMATION SUPPLIED. THE INSTALLATION DETAILS PROVIDED HEREIN ARE GENERAL RECOMMENDATIONS AND ARE NOT SPECIFIC FOR THIS PROJECT. THE DESIGN ENGINEER SHALL REVIEW THESE DETAILS PRIOR TO CONSTRUCTION. IT IS THE DESIGN ENGINEERS RESPONSIBILITY TO ENSURE THE DETAILS PROVIDED HEREIN MEETS OR EXCEEDS THE APPLICABLE NATIONAL, STATE, OR LOCAL REQUIREMENTS AND TO ENSURE THAT THE DETAILS PROVIDED HEREIN ARE ACCEPTABLE FOR THIS PROJECT.

**RETENTION-DETENTION SYSTEM (RISER AND CLEANOUT)**

DRAWING NUMBER: STD-703



4640 TRUEMAN BLVD  
HILLIARD, OHIO 43026

DRAWN BY	CRM
DATE	10/23/06
CAD BY	
SCALE	NTS
SHEET	OF