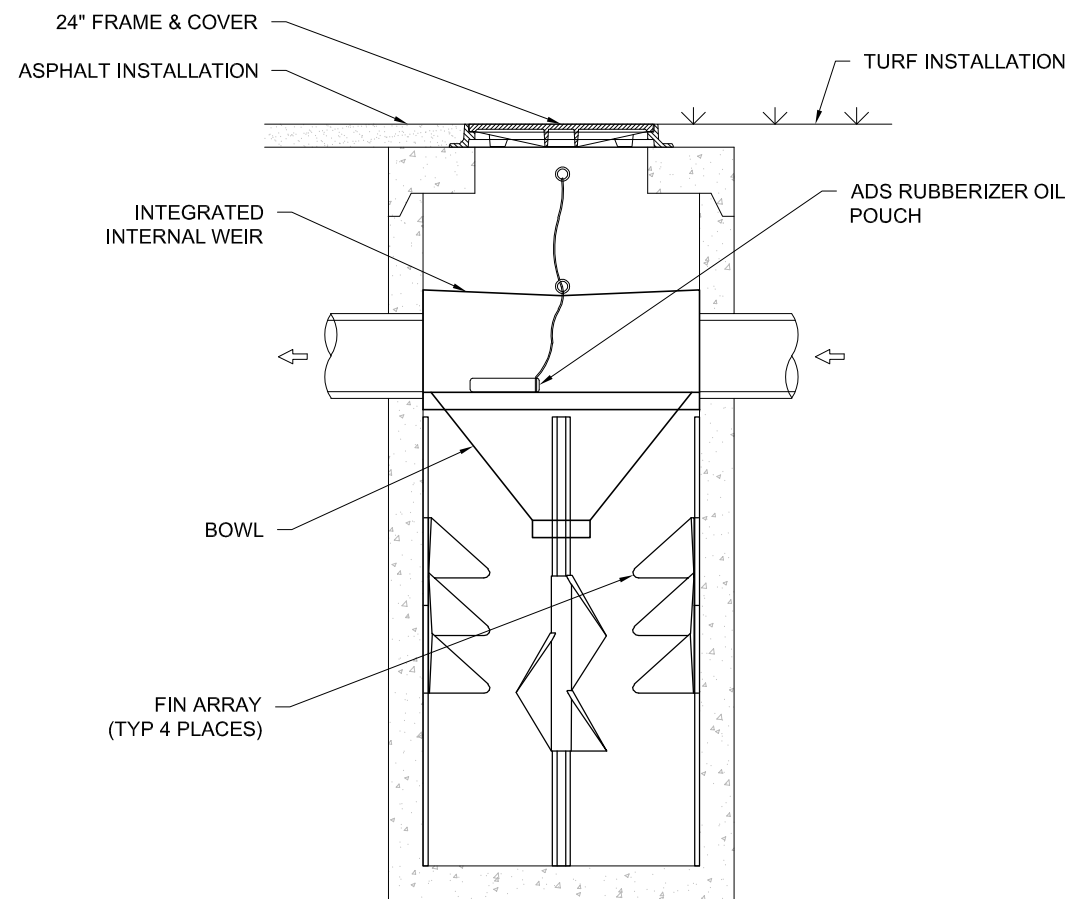
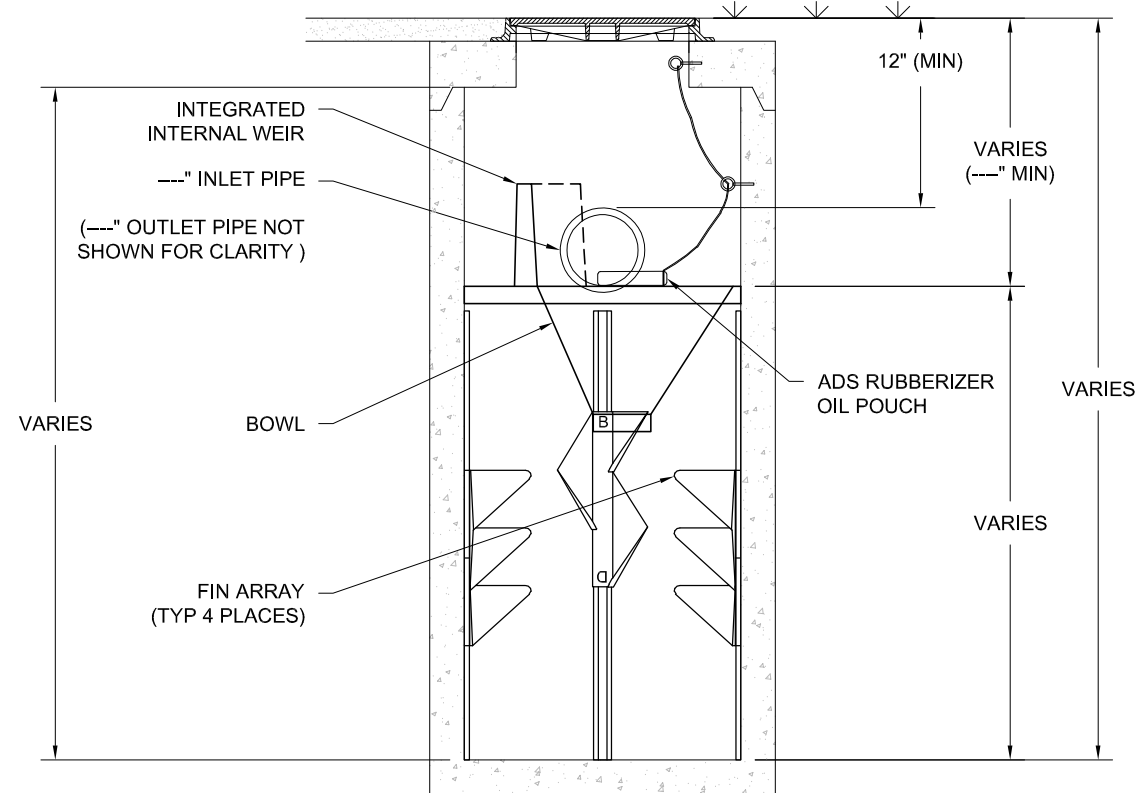


TYPICAL PLAN VIEW
NTS



SECTION VIEW A-A
NTS



SECTION VIEW B-B
NTS

BARRACUDA	
UNIT ID	BMP-1
PEAK FLOW RATE (CFS)	
TREATMENT FLOW RATE (CFS)	

BARRACUDA WITH OIL POUCH	
STANDARD DETAIL	
DATE:	DRAWN:
PROJECT #:	CHECKED:

DATE	DRWN	CHKD	DESCRIPTION

1030 Deer Hollow Drive
Mount Airy, MD 21771

1-800-BAYSAVER
1-800-229-7283

4640 TRUEMAN BLVD
HILLIARD, OH 43026

THIS DRAWING HAS BEEN PREPARED BASED ON INFORMATION PROVIDED TO ADS UNDER THE DIRECTION OF THE SITE DESIGN ENGINEER OR OTHER PROJECT REPRESENTATIVE. THE SITE DESIGN ENGINEER SHALL REVIEW THIS DRAWING PRIOR TO CONSTRUCTION. IT IS THE ULTIMATE RESPONSIBILITY OF THE SITE DESIGN ENGINEER TO ENSURE THAT THE PRODUCT(S) DEPICTED AND ALL ASSOCIATED DETAILS MEET ALL APPLICABLE LAWS, REGULATIONS, AND PROJECT REQUIREMENTS.