

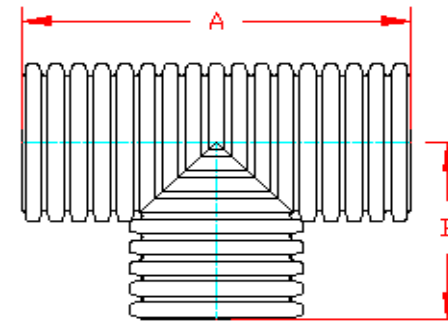
DUAL WALL FABRICATED TEES 4" - 30" DIAMETER

PART #	PIPE SIZE	A	B	JOINT
** 0460AN	4 in (100 mm)	12.8 in (324 mm)	6.2 in (158 mm)	*
** 0661AN	6 in (150 mm)	16.5 in (419 mm)	8.1 in (207 mm)	*
** 0862AN	8 in (200 mm)	21.0 in (533 mm)	10.6 in (268 mm)	*
** 1063AN	10 in (250 mm)	26.0 in (660 mm)	12.6 in (320 mm)	*
1264AN	12 in (300 mm)	30.7 in (780 mm)	15.4 in (390 mm)	*
1264AN85B	12 in (300 mm)	21.1 in (536 mm)	10.6 in (268 mm)	ST
1264AN65B	12 in (300 mm)	21.1 in (536 mm)	10.6 in (268 mm)	WT
1565AN	15 in (375 mm)	38.9 in (987 mm)	19.4 in (494 mm)	*
1565AN85B	15 in (375 mm)	23.3 in (592 mm)	11.7 in (296 mm)	ST
1565AN65B	15 in (375 mm)	23.3 in (592 mm)	11.7 in (296 mm)	WT
1866AN	18 in (450 mm)	42.9 in (1089 mm)	21.4 in (545 mm)	*
1866AN85B	18 in (450 mm)	26.8 in (681 mm)	13.4 in (340 mm)	ST
1866AN65B	18 in (450 mm)	26.8 in (681 mm)	13.4 in (340 mm)	WT
2467AN	24 in (600 mm)	50.4 in (1280 mm)	25.2 in (640 mm)	*
2467AN85B	24 in (600 mm)	37.8 in (960 mm)	18.9 in (480 mm)	ST
2467AN65B	24 in (600 mm)	37.8 in (960 mm)	18.9 in (480 mm)	WT

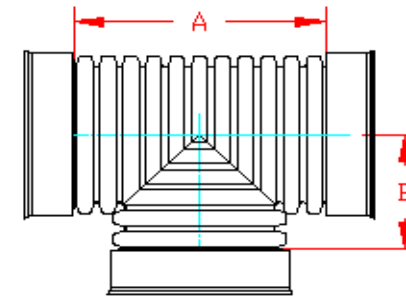
* = PLAIN END
ST = SOIL TIGHT
WT = WATER TIGHT

** LIMITED AVAILABILITY. PLEASE SEE INJECTION MOLDED FITTING SECTION FOR OTHER AVAILABLE FITTINGS

NOTE: ALL FITTINGS DIMENSIONS ARE FOR REFERENCE ONLY



PLAIN END



ST & WT (INCLUDES 3 GASKETS)



ADVANCED DRAINAGE SYSTEMS, INC.

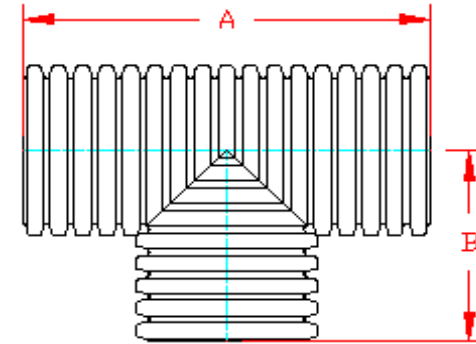
DRAWING #:	2400	
DRAWN BY:	JCB	05.23.07
APPROVED BY:	JCB	06.26.07
REVISIONS:	TJR	2/2/2010

DUAL WALL FABRICATED TEES 30" - 60" DIAMETER

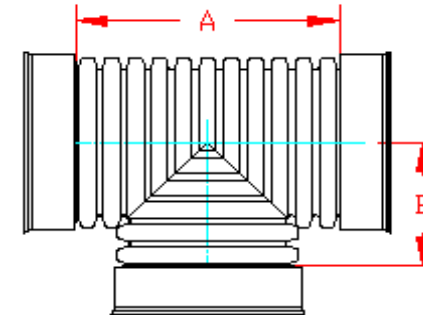
PART #	PIPE SIZE	A	B	JOINT
3068AN	30 in (750 mm)	65.9 in (1674 mm)	33.0 in (837 mm)	*
3068AN85B	30 in (750 mm)	49.4 in (1256 mm)	24.7 in (628 mm)	ST
3068AN65B	30 in (750 mm)	49.4 in (1256 mm)	24.7 in (628 mm)	WT
3669AN	36 in (900 mm)	78.8 in (2000 mm)	34.4 in (873 mm)	*
3669AN85B	36 in (900 mm)	58.0 in (1473 mm)	29.0 in (737 mm)	ST
3669AN65B	36 in (900 mm)	58.0 in (1473 mm)	29.0 in (737 mm)	WT
4251AN	42 in (1050 mm)	71.9 in (1826 mm)	36.0 in (914 mm)	*
4251AN85B	42 in (1050 mm)	62.2 in (1580 mm)	31.1 in (790 mm)	ST
4251AN65BB	42 in (1050 mm)	62.2 in (1580 mm)	31.1 in (790 mm)	WT
4851AN	48 in (1200 mm)	78.5 in (1994 mm)	39.3 in (998 mm)	*
4851AN85B	48 in (1200 mm)	68.2 in (1733 mm)	36.7 in (933 mm)	ST
4851AN65BB	48 in (1200 mm)	68.2 in (1733 mm)	36.7 in (933 mm)	WT
6051AN	60 in (1500 mm)	90.0 in (2286 mm)	45.0 in (1143 mm)	*
6051AN85B	60 in (1500 mm)	90.0 in (2286 mm)	45.0 in (1143 mm)	ST
6051AN65BB	60 in (1500 mm)	90.0 in (2286 mm)	45.0 in (1143 mm)	WT

* = PLAIN END
ST = SOIL TIGHT
WT = WATER TIGHT

NOTE: ALL FITTINGS DIMENSIONS ARE FOR REFERENCE ONLY



PLAIN END



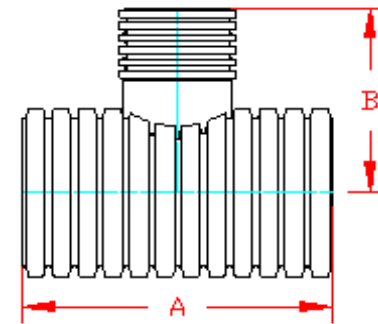
ST & WT (INCLUDES 3 GASKETS)



DRAWING #:	2400A	
DRAWN BY:	JCB	05.22.06
APPROVED BY:	JCB	06.26.07
REVISIONS:	TJR	2/2/2010

DUAL WALL FABRICATED REDUCING TEES
6" x 4" - 10" x 8" DIAMETER

PART #	PIPE SIZE	A	B	JOINT
** 0660AN	6 x 4 in (150 x 100 mm)	14.7 in (374 mm)	9.9 in (252 mm)	*
** 0860AN	8 x 4 in (200 x 100 mm)	17.3 in (439 mm)	11.2 in (285 mm)	*
** 0861AN	8 x 4 in (200 x 150 mm)	20.2 in (512 mm)	11.5 in (293 mm)	*
** 1060AN	10 x 4 in (250 x 100 mm)	20.2 in (512 mm)	11.3 in (286 mm)	*
** 1061AN	10 x 6 in (250 x 150 mm)	20.2 in (512 mm)	13.1 in (332 mm)	*
** 1062AN	10 x 8 in (250 x 200 mm)	22.7 in (576 mm)	15.2 in (385 mm)	*



PLAIN END

* = PLAIN END
 ST = SOIL TIGHT
 WT = WATER TIGHT

** LIMITED AVAILABILITY. PLEASE SEE INJECTION MOLDED FITTING SECTION FOR OTHER AVAILABLE FITTINGS

NOTE: ALL FITTINGS DIMENSIONS ARE FOR REFERENCE ONLY



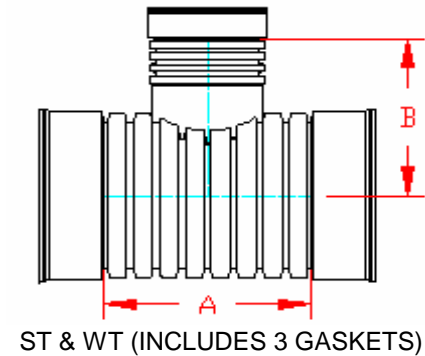
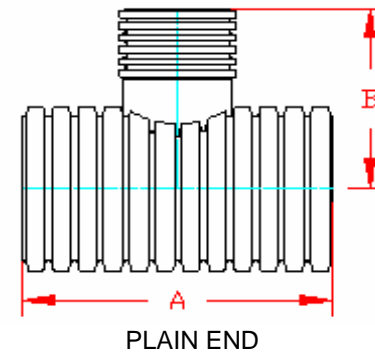
DRAWING #:	2402	
DRAWN BY:	NJP	08.31.06
APPROVED BY:	JCB	06.26.07
REVISIONS:	TJR	2/2/2010

DUAL WALL FABRICATED REDUCING TEES
12"x4" - 12"x10" DIAMETER

PART #	PIPE SIZE	A	B	JOINT
1260AN	12 x 4 in (300 x 100 mm)	21.1 in (536 mm)	13.6 in (345 mm)	*
1260AN85B	12 x 4 in (300 x 100 mm)	13.4 in (341 mm)	12.3 in (312 mm)	ST
1260AN65B	12 x 4 in (300 x 100 mm)	13.4 in (341 mm)	12.3 in (312 mm)	WT
1261AN	12 x 6 in (300 x 150 mm)	23.0 in (585 mm)	14.5 in (368 mm)	*
1261AN85B	12 x 6 in (300 x 150 mm)	15.4 in (390 mm)	12.9 in (329 mm)	ST
1261AN65B	12 x 6 in (300 x 150 mm)	15.4 in (390 mm)	12.9 in (329 mm)	WT
1262AN	12 x 8 in (300 x 200 mm)	25.0 in (634 mm)	17.0 in (432 mm)	*
1262AN85B	12 x 8 in (300 x 200 mm)	17.3 in (439 mm)	15.1 in (383 mm)	ST
1262AN65B	12 x 8 in (300 x 200 mm)	17.3 in (439 mm)	15.1 in (383 mm)	WT
1263AN	12 x 10 in (300 x 250 mm)	26.9 in (683 mm)	16.4 in (416 mm)	*
1263AN85B	12 x 10 in (300 x 250 mm)	19.2 in (488 mm)	13.9 in (352 mm)	ST
1263AN65B	12 x 10 in (300 x 250 mm)	19.2 in (488 mm)	13.9 in (352 mm)	WT

* = PLAIN END
 ST = SOIL TIGHT
 WT = WATER TIGHT

NOTE: ALL FITTINGS DIMENSIONS ARE FOR REFERENCE ONLY



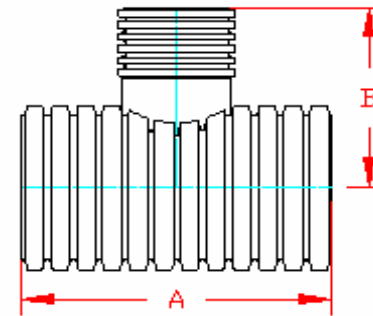
DRAWING #:	2405	
DRAWN BY:	NJP	08.31.06
APPROVED BY:	JCB	06.26.07
REVISIONS:	NJP	06.14.07

**DUAL WALL FABRICATED REDUCING TEES
15"x4" - 15"x12 DIAMETER**

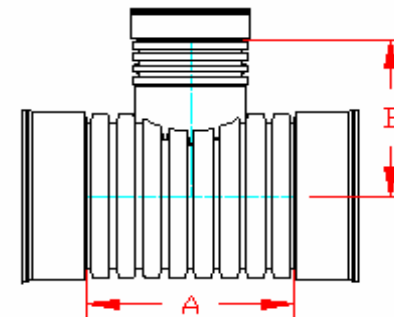
PART #	PIPE SIZE	A	B	JOINT
1560AN	15 x 4 in (375 x 100 mm)	25.9 in (658 mm)	15.1 in (384 mm)	*
1560AN85B	15 x 4 in (375 x 100 mm)	15.5 in (395 mm)	13.8 in (350 mm)	ST
1560AN65B	15 x 4 in (375 x 100 mm)	15.5 in (395 mm)	13.8 in (350 mm)	WT
1561AN	15 x 6 in (375 x 150 mm)	28.5 in (724 mm)	16.1 in (409 mm)	*
1561AN85B	15 x 6 in (375 x 150 mm)	18.1 in (461 mm)	14.6 in (370 mm)	ST
1561AN65B	15 x 6 in (375 x 150 mm)	18.1 in (461 mm)	14.6 in (370 mm)	WT
1562AN	15 x 8 in (375 x 200 mm)	31.1 in (789 mm)	18.8 in (479 mm)	*
1562AN85B	15 x 8 in (375 x 200 mm)	20.7 in (526 mm)	16.9 in (430 mm)	ST
1562AN65B	15 x 8 in (375 x 200 mm)	20.7 in (526 mm)	16.9 in (430 mm)	WT
1563AN	15 x 10 in (375 x 250 mm)	33.7 in (855 mm)	18.8 in (477 mm)	*
1563AN85B	15 x 10 in (375 x 250 mm)	23.3 in (592 mm)	16.3 in (413 mm)	ST
1563AN65B	15 x 10 in (375 x 250 mm)	23.3 in (592 mm)	16.3 in (413 mm)	WT
1564AN	15 x 12 in (375 x 300 mm)	36.3 in (921 mm)	18.0 in (457 mm)	*
1564AN85B	15 x 12 in (375 x 300 mm)	25.9 in (658 mm)	14.1 in (359 mm)	ST
1564AN65B	15 x 12 in (375 x 300 mm)	25.9 in (658 mm)	14.1 in (359 mm)	WT

* = PLAIN END
ST = SOIL TIGHT
WT = WATER TIGHT

NOTE: ALL FITTINGS DIMENSIONS ARE FOR REFERENCE ONLY



PLAIN END



ST & WT (INCLUDES 3 GASKETS)



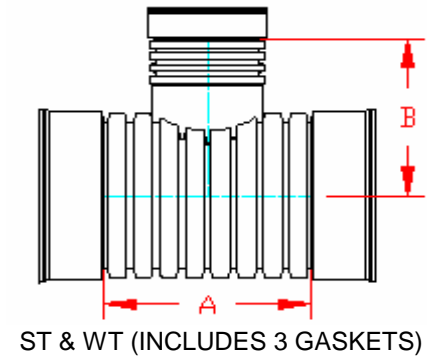
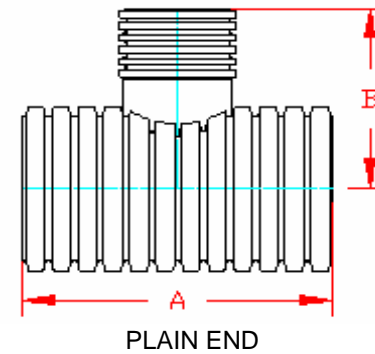
DRAWING #:	2410	
DRAWN BY:	JCB	04.30.06
APPROVED BY:	JCB	06.26.07
REVISIONS:	NJP	06.14.07

DUAL WALL FABRICATED REDUCING TEES
18"x4" - 18"x10" DIAMETER

PART #	PIPE SIZE	A	B	JOINT
1860AN	18 x 4 in (450 x 100 mm)	26.8 in (681 mm)	16.7 in (424 mm)	*
1860AN85B	18 x 4 in (450 x 100 mm)	16.1 in (408 mm)	15.4 in (391 mm)	ST
1860AN65B	18 x 4 in (450 x 100 mm)	16.1 in (408 mm)	15.4 in (391 mm)	WT
1861AN	18 x 6 in (450 x 150 mm)	29.5 in (749 mm)	17.8 in (452 mm)	*
1861AN85B	18 x 6 in (450 x 150 mm)	18.8 in (477 mm)	16.3 in (413 mm)	ST
1861AN65B	18 x 6 in (450 x 150 mm)	18.8 in (477 mm)	16.3 in (413 mm)	WT
1862AN	18 x 8 in (450 x 200 mm)	32.2 in (817 mm)	20.7 in (525 mm)	*
1862AN85B	18 x 8 in (450 x 200 mm)	21.4 in (545 mm)	18.7 in (476 mm)	ST
1862AN65B	18 x 8 in (450 x 200 mm)	21.4 in (545 mm)	18.7 in (476 mm)	WT
1863AN	18 x 10 in (450 x 250 mm)	34.8 in (885 mm)	20.8 in (529 mm)	*
1863AN85B	18 x 10 in (450 x 250 mm)	24.1 in (613 mm)	18.3 in (465 mm)	ST
1863AN65B	18 x 10 in (450 x 250 mm)	24.1 in (613 mm)	18.3 in (465 mm)	WT

* = PLAIN END
 ST = SOIL TIGHT
 WT = WATER TIGHT

NOTE: ALL FITTINGS DIMENSIONS ARE FOR REFERENCE ONLY

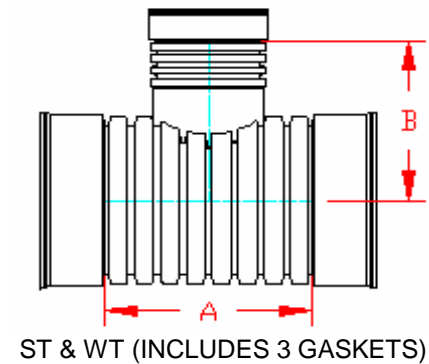
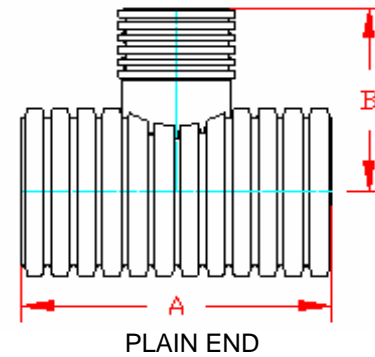


DRAWING #:	2415	
DRAWN BY:	JCB	04.30.06
APPROVED BY:	JCB	06.26.07
REVISIONS:	NJP	06.14.07

DUAL WALL FABRICATED REDUCING TEES 18"x12" - 18"x15" DIAMETER

PART #	PIPE SIZE	A	B	JOINT
1864AN	18 x 12 in (450 x 300 mm)	37.5 in (953 mm)	19.3 in (490 mm)	*
1864AN85B	18 x 12 in (450 x 300 mm)	26.8 in (681 mm)	15.5 in (393 mm)	ST
1864AN65B	18 x 12 in (450 x 300 mm)	26.8 in (681 mm)	15.5 in (393 mm)	WT
1865AN	18 x 15 in (450 x 375 mm)	40.2 in (1021 mm)	22.8 in (578 mm)	*
1865AN85B	18 x 15 in (450 x 1375mm)	29.5 in (749 mm)	17.6 in (446 mm)	ST
1865AN65B	18 x 15 in (450 x 375 mm)	29.5 in (749 mm)	17.6 in (446 mm)	WT

* = PLAIN END
ST = SOIL TIGHT
WT = WATER TIGHT



NOTE: ALL FITTINGS DIMENSIONS ARE FOR REFERENCE ONLY



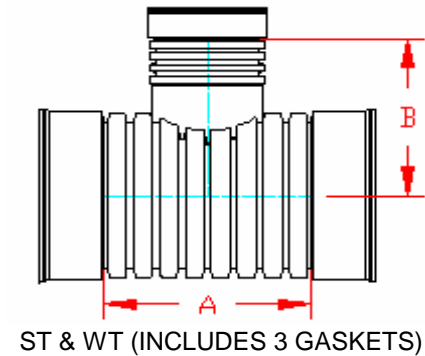
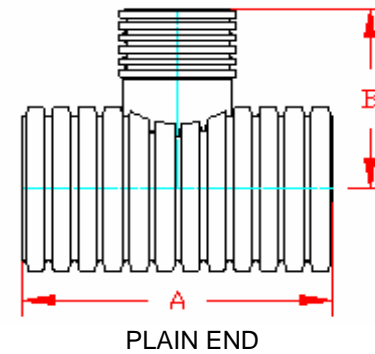
DRAWING #:	2415A	
DRAWN BY:	NJP	08.31.06
APPROVED BY:	JCB	06.26.07
REVISIONS:	NJP	06.14.07

DUAL WALL FABRICATED REDUCING TEES
24"x4" - 24"x10" DIAMETER

PART #	PIPE SIZE	A	B	JOINT
2460AN	24 x 4 in (600 x 100 mm)	31.5 in (800 mm)	19.8 in (503 mm)	*
2460AN85B	24 x 4 in (600 x 100 mm)	18.9 in (480 mm)	18.5 in (469 mm)	ST
2460AN65B	24 x 4 in (600 x 100 mm)	18.9 in (480 mm)	18.5 in (469 mm)	WT
2461AN	24 x 6 in (600 x 150 mm)	34.7 in (880 mm)	21.0 in (533 mm)	*
2461AN85B	24 x 6 in (600 x 150 mm)	22.1 in (560 mm)	19.4 in (494 mm)	ST
2461AN65B	24 x 6 in (600 x 150 mm)	22.1 in (560 mm)	19.4 in (494 mm)	WT
2462AN	24 x 8 in (600 x 200 mm)	34.7 in (880 mm)	24.0 in (609 mm)	*
2462AN85B	24 x 8 in (600 x 200 mm)	22.1 in (560 mm)	22.0 in (560 mm)	ST
2462AN65B	24 x 8 in (600 x 200 mm)	22.1 in (560 mm)	22.0 in (560 mm)	WT
2463AN	24 x 10 in (600 x 250 mm)	37.8 in (960 mm)	24.3 in (618 mm)	*
2463AN85B	24 x 10 in (600 x 250 mm)	25.2 in (640 mm)	21.8 in (554 mm)	ST
2463AN65B	24 x 10 in (600 x 250 mm)	25.2 in (640 mm)	21.8 in (554 mm)	WT

* = PLAIN END
 ST = SOIL TIGHT
 WT = WATER TIGHT

NOTE: ALL FITTINGS DIMENSIONS ARE FOR REFERENCE ONLY

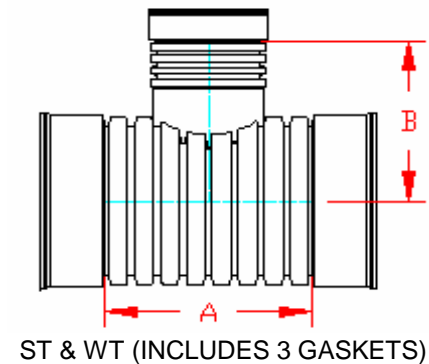
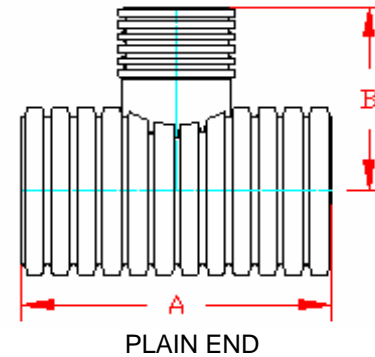


DRAWING #:	2420	
DRAWN BY:	NJP	09.06.06
APPROVED BY:	JCB	06.26.07
REVISIONS:	NJP	06.14.07

DUAL WALL FABRICATED REDUCING TEES
24"x12" - 24"x18" DIAMETER

PART #	PIPE SIZE	A	B	JOINT
2464AN	24 x 12 in (600 x 300 mm)	41.0 in (1040 mm)	23.1 in (587 mm)	*
2464AN85B	24 x 12 in (600 x 300 mm)	28.4 in (720 mm)	19.3 in (489 mm)	ST
2464AN65B	24 x 12 in (600 x 300 mm)	28.4 in (720 mm)	19.3 in (489 mm)	WT
2465AN	24 x 15 in (600 x 375 mm)	44.1 in (1120 mm)	26.6 in (674 mm)	*
2465AN85B	24 x 15 in (600 x 375 mm)	31.5 in (800 mm)	21.4 in (543 mm)	ST
2465AN65B	24 x 15 in (600 x 375 mm)	31.5 in (800 mm)	21.4 in (543 mm)	WT
2466AN	24 x 18 in (600 x 450 mm)	47.3 in (1200 mm)	26.6 in (674 mm)	*
2466AN85B	24 x 18 in (600 x 450 mm)	34.7 in (880 mm)	21.2 in (538 mm)	ST
2466AN65B	24 x 18 in (600 x 450 mm)	34.7 in (880 mm)	21.2 in (538 mm)	WT

* = PLAIN END
 ST = SOIL TIGHT
 WT = WATER TIGHT



NOTE: ALL FITTINGS DIMENSIONS ARE FOR REFERENCE ONLY



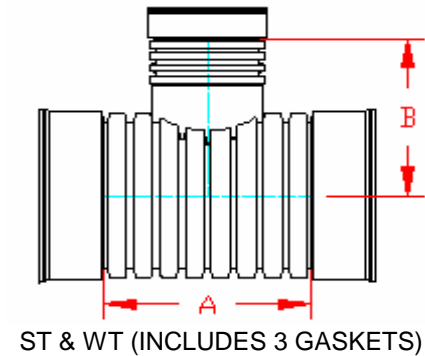
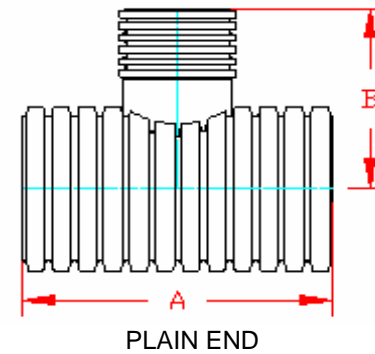
DRAWING #:	2420A	
DRAWN BY:	JCB	04.30.06
APPROVED BY:	JCB	06.26.07
REVISIONS:	NJP	06.14.07

DUAL WALL FABRICATED REDUCING TEES
30"x4" - 30"x10" DIAMETER

PART #	PIPE SIZE	A	B	JOINT
3060AN	30 x 4 in (750 x 100 mm)	41.2 in (1046 mm)	23.8 in (604 mm)	*
3060AN85B	30 x 4 in (750 x 100 mm)	24.7 in (627 mm)	22.5 in (571 mm)	ST
3060AN65B	30 x 4 in (750 x 100 mm)	24.7 in (627 mm)	22.5 in (571 mm)	WT
3061AN	30 x 6 in (750 x 150 mm)	41.2 in (1046 mm)	25.0 in (636 mm)	*
3061AN85B	30 x 6 in (750 x 150 mm)	24.7 in (628 mm)	23.5 in (596 mm)	ST
3061AN65B	30 x 6 in (750 x 150 mm)	24.7 in (628 mm)	23.5 in (596 mm)	WT
3062AN	30 x 8 in (750 x 200 mm)	45.3 in (1151 mm)	27.1 in (688 mm)	*
3062AN85B	30 x 8 in (750 x 200 mm)	28.8 in (733 mm)	25.2 in (639 mm)	ST
3062AN65B	30 x 8 in (750 x 200 mm)	28.8 in (733 mm)	25.2 in (639 mm)	WT
3063AN	30 x 10 in (750 x 250 mm)	45.3 in (1151 mm)	27.6 in (700 mm)	*
3063AN85B	30 x 10 in (750 x 250 mm)	28.8 in (733 mm)	27.0 in (687 mm)	ST
3063AN65B	30 x 10 in (750 x 250 mm)	28.8 in (733 mm)	25.0 in (636 mm)	WT

* = PLAIN END
 ST = SOIL TIGHT
 WT = WATER TIGHT

NOTE: ALL FITTINGS DIMENSIONS ARE FOR REFERENCE ONLY



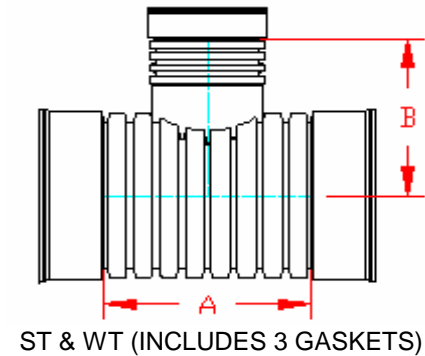
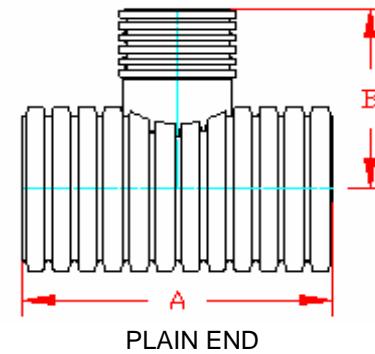
DRAWING #:	2425	
DRAWN BY:	NJP	09.07.06
APPROVED BY:	JCB	06.26.07
REVISIONS:	NJP	06.14.07

DUAL WALL FABRICATED REDUCING TEES
30"x12" - 30"x24" DIAMETER

PART #	PIPE SIZE	A	B	JOINT
3064AN	30 x 12 in (750 x 300 mm)	49.4 in (1256 mm)	26.8 in (679 mm)	*
3064AN85B	30 x 12 in (750 x 300 mm)	33.0 in (837 mm)	22.9 in (582 mm)	ST
3064AN65B	30 x 12 in (750 x 300 mm)	33.0 in (837 mm)	22.9 in (582 mm)	WT
3065AN	30 x 15 in (750 x 375 mm)	53.6 in (1360 mm)	30.2 in (767 mm)	*
3065AN85B	30 x 15 in (750 x 1375mm)	37.1 in (942 mm)	25.0 in (636 mm)	ST
3065AN65B	30 x 15 in (750 x 375 mm)	37.1 in (942 mm)	25.0 in (636 mm)	WT
3066AN	30 x 18 in (750 x 450 mm)	57.7 in (1465 mm)	30.2 in (767 mm)	*
3066AN85B	30 x 18 in (750 x 450 mm)	41.2 in (1046 mm)	24.8 in (631 mm)	ST
3066AN65B	30 x 18 in (750 x 450 mm)	41.2 in (1046 mm)	24.8 in (631 mm)	WT
3067AN	30 x 24 in (750 x 600 mm)	61.8 in (1570 mm)	33.1 in (841 mm)	*
3067AN85B	30 x 24 in (750 x 600 mm)	45.3 in (1151 mm)	26.8 in (681 mm)	ST
3067AN65B	30 x 24 in (750 x 600 mm)	45.3 in (1151 mm)	26.8 in (681 mm)	WT

* = PLAIN END
 ST = SOIL TIGHT
 WT = WATER TIGHT

NOTE: ALL FITTINGS DIMENSIONS ARE FOR REFERENCE ONLY



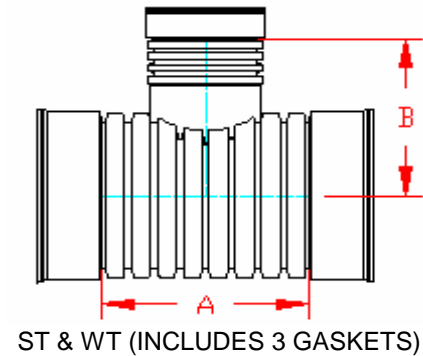
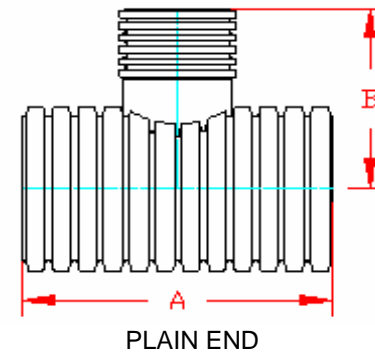
DRAWING #:	2425A	
DRAWN BY:	NJP	09.07.06
APPROVED BY:	JCB	06.26.07
REVISIONS:	NJP	06.14.07

DUAL WALL FABRICATED REDUCING TEES
36"x4" - 36"x10" DIAMETER

PART #	PIPE SIZE	A	B	JOINT
3660AN	36 x 4 in (900 x 100 mm)	36.8 in (933 mm)	26.8 in (681 mm)	*
3660AN85B	36 x 4 in (900 x 100 mm)	15.8 in (400 mm)	24.8 in (631 mm)	ST
3660AN65B	36 x 4 in (900 x 100 mm)	15.8 in (400 mm)	24.8 in (631 mm)	WT
3661AN	36 x 6 in (900 x 150 mm)	42.0 in (1067 mm)	28.1 in (713 mm)	*
3661AN85B	36 x 6 in (900 x 150 mm)	21.0 in (533 mm)	25.8 in (655 mm)	ST
3661AN65B	36 x 6 in (900 x 150 mm)	21.0 in (533 mm)	25.8 in (655 mm)	WT
3662AN	36 x 8 in (900 x 200 mm)	42.0 in (1067 mm)	30.2 in (767 mm)	*
3662AN85B	36 x 8 in (900 x 200 mm)	21.0 in (533 mm)	27.3 in (694 mm)	ST
3662AN65	36 x 8 in (900 x 200 mm)	21.0 in (533 mm)	27.3 in (694 mm)	WT
3663AN	36 x 10 in (900 x 250 mm)	47.3 in (1200 mm)	30.7 in (781 mm)	*
3663AN85B	36 x 10 in (900 x 250 mm)	26.3 in (667 mm)	27.0 in (685 mm)	ST
3663AN65B	36 x 10 in (900 x 250 mm)	26.3 in (667 mm)	27.0 in (685 mm)	WT

* = PLAIN END
 ST = SOIL TIGHT
 WT = WATER TIGHT

NOTE: ALL FITTINGS DIMENSIONS ARE FOR REFERENCE ONLY



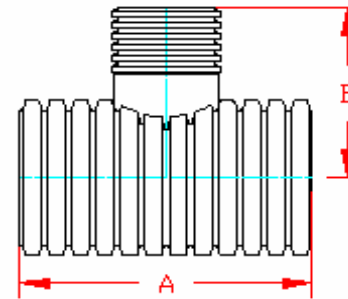
DRAWING #:	2430	
DRAWN BY:	NJP	09.19.06
APPROVED BY:	JCB	06.26.07
REVISIONS:	NJP	06.14.07

DUAL WALL FABRICATED REDUCING TEES
36"x12" - 36"x30" DIAMETER

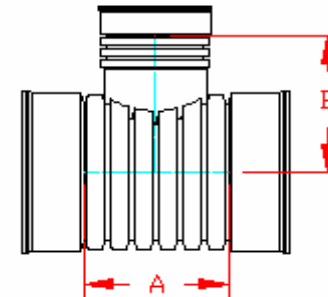
PART #	PIPE SIZE	A	B	JOINT
3664AN	36 x 12 in (900 x 300 mm)	47.3 in (1200 mm)	30.1 in (764 mm)	*
3664AN85B	36 x 12 in (900 x 300 mm)	26.3 in (667 mm)	24.3 in (618 mm)	ST
3664AN65B	36 x 12 in (900 x 300 mm)	26.3 in (667 mm)	24.3 in (618 mm)	WT
3665AN	36 x 15 in (900 x 375 mm)	52.5 in (1334 mm)	33.5 in (852 mm)	*
3665AN85B	36 x 15 in (900 x 1375mm)	31.5 in (800 mm)	25.8 in (655 mm)	ST
3665AN65B	36 x 15 in (900 x 375 mm)	31.5 in (800 mm)	25.8 in (655 mm)	WT
3666AN	36 x 18 in (900 x 450 mm)	57.8 in (1467 mm)	33.5 in (852 mm)	*
3666AN85B	36 x 18 in (900 x 450mm)	36.8 in (933 mm)	25.5 in (648 mm)	ST
3666AN65B	36 x 18 in (900 x 450 mm)	36.8 in (933 mm)	25.5 in (648 mm)	WT
3667AN	36 x 24 in (900 x 600 mm)	63.0 in (1600 mm)	36.4 in (926 mm)	*
3667AN85B	36 x 24 in (900 x 600mm)	42.0 in (1067 mm)	27.0 in (686 mm)	ST
3667AN65B	36 x 24 in (900 x 600 mm)	42.0 in (1067 mm)	27.0 in (686 mm)	WT
3668AN	36 x 30 in (900 x 750 mm)	68.3 in (1734 mm)	37.4 in (949 mm)	*
3668AN85B	36 x 30 in (900 x 750mm)	47.3 in (1200 mm)	25.0 in (635 mm)	ST
3668AN65B	36 x 30 in (900 x 750 mm)	47.3 in (1200 mm)	25.0 in (635 mm)	WT

* = PLAIN END
 ST = SOIL TIGHT
 WT = WATER TIGHT

NOTE: ALL FITTINGS DIMENSIONS ARE FOR REFERENCE ONLY



PLAIN END



ST & WT (INCLUDES 3 GASKETS)



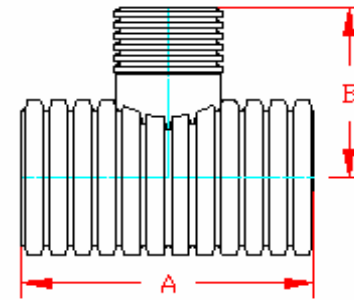
DRAWING #:	2430A	
DRAWN BY:	JCB	04.30.06
APPROVED BY:	JCB	06.26.07
REVISIONS:	NJP	06.14.07

DUAL WALL FABRICATED REDUCING TEES
42"x4" - 42"x12" DIAMETER

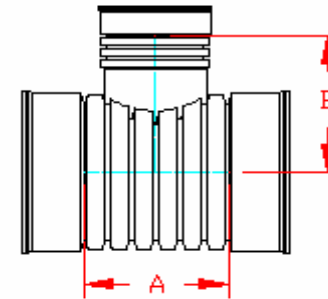
PART #	PIPE SIZE	A	B	JOINT
4260AN	42 x 4 in (1050 x 100 mm)	36.3 in (923 mm)	29.5 in (750 mm)	*
4260AN85B	42 x 4 in (1050 x 100 mm)	15.6 in (395 mm)	27.6 in (700 mm)	ST
4260AN65B	42 x 4 in (1050 x 100 mm)	15.6 in (395 mm)	27.6 in (700 mm)	WT
4261AN	42 x 6 in (1050 x 150 mm)	41.5 in (1055 mm)	30.8 in (783 mm)	*
4261AN85B	42 x 6 in (1050 x 150 mm)	20.8 in (527 mm)	28.5 in (724 mm)	ST
4261AN65B	42 x 6 in (1050 x 150 mm)	20.8 in (527 mm)	28.5 in (724 mm)	WT
4262AN	42 x 8 in (1050 x 200 mm)	41.5 in (1055 mm)	33.0 in (837 mm)	*
4262AN85B	42 x 8 in (1050 x 200 mm)	20.8 in (527 mm)	30.1 in (764 mm)	ST
4262AN65B	42 x 8 in (1050 x 200 mm)	20.8 in (527 mm)	30.1 in (764 mm)	WT
4263AN	42 x 10 in (1050 x 250 mm)	46.7 in (1186 mm)	33.6 in (852 mm)	*
4263AN85B	42 x 10 in (1050 x 250 mm)	26.0 in (659 mm)	29.8 in (756 mm)	ST
4263AN65B	42 x 10 in (1050 x 250 mm)	26.0 in (659 mm)	29.8 in (756 mm)	WT
4264AN	42 x 12 in (1050 x 300 mm)	46.7 in (1186 mm)	33.2 in (843 mm)	*
4264AN85B	42 x 12 in (1050 x 300 mm)	26.0 in (659 mm)	27.4 in (696 mm)	ST
4264AN65B	42 x 12 in (1050 x 300 mm)	26.0 in (659 mm)	27.4 in (696 mm)	WT

* = PLAIN END
 ST = SOIL TIGHT
 WT = WATER TIGHT

NOTE: ALL FITTINGS DIMENSIONS ARE FOR REFERENCE ONLY



PLAIN END



ST & WT (INCLUDES 3 GASKETS)



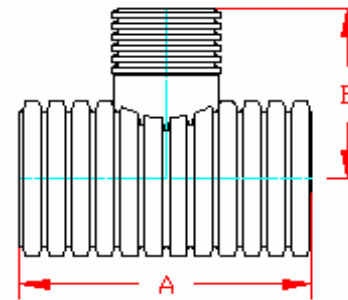
DRAWING #:	2435	
DRAWN BY:	JCB	04.30.06
APPROVED BY:	JCB	06.26.07
REVISIONS:	NJP	06.14.07

DUAL WALL FABRICATED REDUCING TEES
42"x15" - 42"x36" DIAMETER

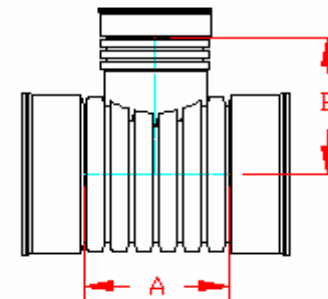
PART #	PIPE SIZE	A	B	JOINT
4265AN	42 x 15 in (1050 x 375 mm)	51.9 in (1318 mm)	36.6 in (930 mm)	*
4265AN85B	42 x 15 in (1050 x 375mm)	31.1 in (791 mm)	28.9 in (733 mm)	ST
4265AN65B	42 x 15 in (1050 x 375 mm)	31.1 in (791 mm)	28.9 in (733 mm)	WT
4266AN	42 x 18 in (1050 x 450 mm)	57.1 in (1450 mm)	36.6 in (930 mm)	*
4266AN85B	42 x 18 in (1050 x 450mm)	36.3 in (923 mm)	28.6 in (726 mm)	ST
4266AN65	42 x 18 in (1050 x 450 mm)	36.3 in (923 mm)	28.6 in (726 mm)	WT
4267AN	42 x 24 in (1050 x 600 mm)	62.3 in (1582 mm)	39.5 in (1004 mm)	*
4267AN85B	42 x 24 in (1050 x 600 mm)	41.5 in (1055 mm)	30.1 in (764 mm)	ST
4267AN65B	42 x 24 in (1050 x 600 mm)	41.5 in (1055 mm)	30.1 in (764 mm)	WT
4268AN	42 x 30 in (1050 x 750 mm)	67.5 in (1714 mm)	40.5 in (1029 mm)	*
4268AN85B	42 x 30 in (1050 x 750 mm)	46.7 in (1187 mm)	28.1 in (715 mm)	ST
4268AN65B	42 x 30 in (1050 x 750 mm)	46.7 in (1187 mm)	28.1 in (715 mm)	WT
4269AN	42 x 36 in (1050 x 900 mm)	77.9 in (1977 mm)	44.5 in (1131 mm)	*
4269AN85B	42 x 36 in (1050 x 900 mm)	57.1 in (1450 mm)	28.8 in (731 mm)	ST
4269AN65B	42 x 36 in (1050 x 900 mm)	57.1 in (1450 mm)	28.8 in (731 mm)	WT

* = PLAIN END
 ST = SOIL TIGHT
 WT = WATER TIGHT

NOTE: ALL FITTINGS DIMENSIONS ARE FOR REFERENCE ONLY



PLAIN END



ST & WT (INCLUDES 3 GASKETS)



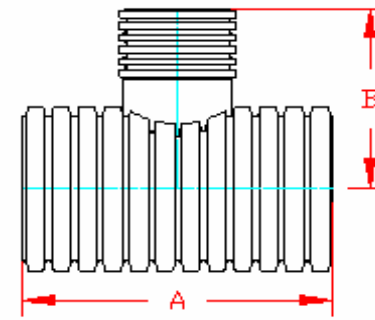
DRAWING #:	2435A	
DRAWN BY:	NJP	09.19.06
APPROVED BY:	JCB	06.26.07
REVISIONS:	NJP	06.14.07

DUAL WALL FABRICATED REDUCING TEES
48"x4" - 48"x10" DIAMETER

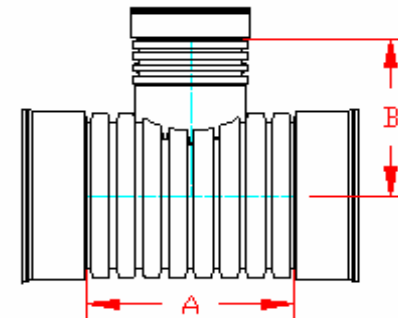
PART #	PIPE SIZE	A	B	JOINT
4860AN	48 x 4 in (1200 x 100 mm)	36.8 in (933 mm)	32.7 in (829 mm)	*
4860AN85B	48 x 4 in (1200 x 100 mm)	15.8 in (400 mm)	30.7 in (779 mm)	ST
4860AN65B	48 x 4 in (1200 x 100 mm)	15.8 in (400 mm)	30.7 in (779 mm)	WT
4861AN	48 x 6 in (1200 x 150 mm)	42.0 in (1067 mm)	34.0 in (863 mm)	*
4861AN85B	48 x 6 in (1200 x 150 mm)	21.0 in (533 mm)	31.7 in (804 mm)	ST
4861AN65B	48 x 6 in (1200 x 150 mm)	21.0 in (533 mm)	31.7 in (804 mm)	WT
4862AN	48 x 8 in (1200 x 200 mm)	42.0 in (1067 mm)	36.1 in (918 mm)	*
4862AN85B	48 x 8 in (1200 x 200 mm)	21.0 in (533 mm)	33.3 in (845 mm)	ST
4862AN65B	48 x 8 in (1200 x 200 mm)	21.0 in (533 mm)	33.3 in (845 mm)	WT
4863AN	48 x 10 in (1200 x 250 mm)	47.3 in (1200 mm)	36.8 in (933 mm)	*
4863AN85B	48 x 10 in (1200 x 250 mm)	26.3 in (667 mm)	33.0 in (837 mm)	ST
4863AN65N	48 x 10 in (1200 x 250 mm)	26.3 in (667 mm)	33.0 in (837 mm)	WT

* = PLAIN END
 ST = SOIL TIGHT
 WT = WATER TIGHT

NOTE: ALL FITTINGS DIMENSIONS ARE FOR REFERENCE ONLY



PLAIN END



ST & WT (INCLUDES 3 GASKETS)



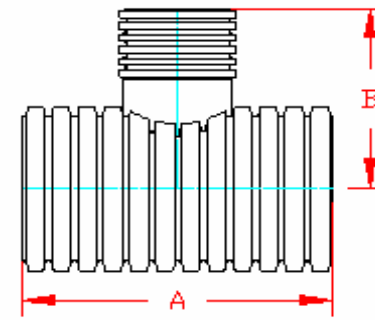
DRAWING #:	2440	
DRAWN BY:	JCB	05.01.06
APPROVED BY:	JCB	06.26.07
REVISIONS:	NJP	06.14.07

DUAL WALL FABRICATED REDUCING TEES
48"x12" - 48"x24" DIAMETER

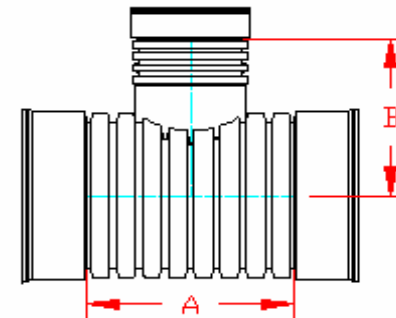
PART #	PIPE SIZE	A	B	JOINT
4864AN	48 x 12 in (1200 x 300 mm)	47.3 in (1200 mm)	36.2 in (919 mm)	*
4864AN85B	48 x 12 in (1200 x 300 mm)	26.3 in (667 mm)	30.4 in (773 mm)	ST
4864AN65B	48 x 12 in (1200 x 300 mm)	26.3 in (667 mm)	30.4 in (773 mm)	WT
4865AN	48 x 15 in (1200 x 375 mm)	52.5 in (1334 mm)	39.6 in (1007 mm)	*
4865AN85B	48 x 15 in (1200 x 375mm)	31.5 in (800 mm)	31.9 in (809 mm)	ST
4865AN65B	48 x 15 in (1200 x 375 mm)	31.5 in (800 mm)	31.9 in (809 mm)	WT
4866AN	48 x 18 in (1200 x 450 mm)	57.8 in (1467 mm)	39.6 in (1007 mm)	*
4866AN85B	48 x 18 in (1200 x 450mm)	36.8 in (933 mm)	31.6 in (802 mm)	ST
4866AN65B	48 x 18 in (1200 x 450 mm)	36.8 in (933 mm)	31.6 in (802 mm)	WT
4867AN	48 x 24 in (1200 x 600 mm)	63.0 in (1600 mm)	42.5 in (1080 mm)	*
4867AN85B	48 x 24 in (1200 x 600mm)	42.0 in (1067 mm)	33.1 in (840 mm)	ST
4867AN65B	48 x 24 in (1200 x 600 mm)	42.0 in (1067 mm)	33.1 in (840 mm)	WT

* = PLAIN END
 ST = SOIL TIGHT
 WT = WATER TIGHT

NOTE: ALL FITTINGS DIMENSIONS ARE FOR REFERENCE ONLY



PLAIN END



ST & WT (INCLUDES 3 GASKETS)

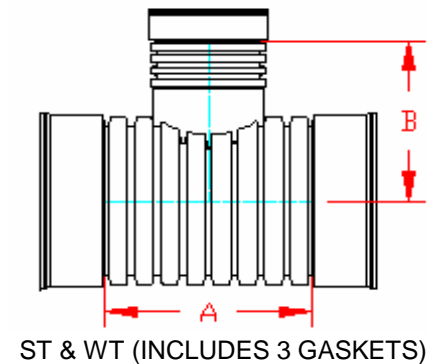
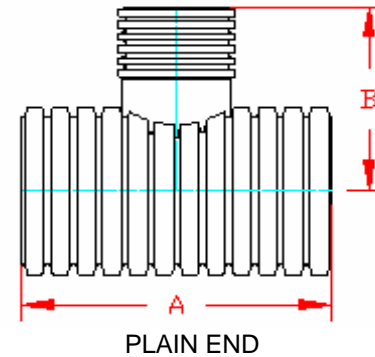


DRAWING #:	2440A	
DRAWN BY:	JCB	05.01.06
APPROVED BY:	JCB	06.26.07
REVISIONS:	NJP	06.14.07

DUAL WALL FABRICATED REDUCING TEES
48"x30" - 48"x42" DIAMETER

PART #	PIPE SIZE	A	B	JOINT
4868AN	48 x 30 in (1200 x 750 mm)	68.3 in (1734 mm)	43.5 in (1105 mm)	*
4868AN85B	48 x 30 in (1200 x 750mm)	47.3 in (1200 mm)	31.1 in (791 mm)	ST
4868AN65B	48 x 30 in (1200 x 750 mm)	47.3 in (1200 mm)	31.1 in (791 mm)	WT
4869AN	48 x 36 in (1200 x 900 mm)	73.5 in (1867 mm)	47.5 in (1208 mm)	*
4869AN85B	48 x 36 in (1200 x 900 mm)	52.5 in (1334 mm)	31.8 in (807 mm)	ST
4869AN65B	48 x 36 in (1200 x 900 mm)	52.5 in (1334 mm)	31.8 in (807 mm)	WT
4840AN	48 x 42 in (1200 x 1050 mm)	84.0 in (2134 mm)	47.8 in (1214 mm)	*
4840AN85B	48 x 42 in (1200 x 1050 mm)	63.0 in (1600 mm)	32.2 in (819 mm)	ST
4840AN65B	48 x 42 in (1200 x 1050 mm)	63.0 in (1600 mm)	32.2 in (819 mm)	WT

* = PLAIN END
 ST = SOIL TIGHT
 WT = WATER TIGHT



NOTE: ALL FITTINGS DIMENSIONS ARE FOR REFERENCE ONLY



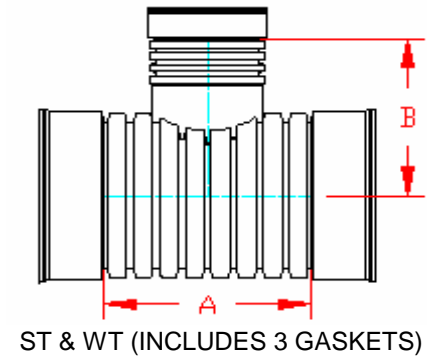
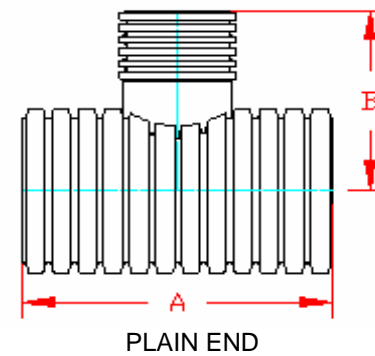
DRAWING #:	2440B	
DRAWN BY:	JCB	05.01.06
APPROVED BY:	JCB	06.26.07
REVISIONS:	NJP	06.14.07

DUAL WALL FABRICATED REDUCING TEES
60"x4" - 60"x10" DIAMETER

PART #	PIPE SIZE	A	B	JOINT
6060AN	60 x 4 in (1500 x 100 mm)	42.0 in (1067 mm)	39.0 in (991 mm)	*
6060AN85B	60 x 4 in (1500 x 100 mm)	18.0 in (457 mm)	37.0 in (940 mm)	ST
6060AN65B	60 x 4 in (1500 x 100 mm)	18.0 in (457 mm)	37.0 in (940 mm)	WT
6061AN	60 x 6 in (1500 x 150 mm)	48.0 in (1219 mm)	40.3 in (1024 mm)	*
6061AN85B	60 x 6 in (1500 x 150 mm)	24.0 in (610 mm)	38.0 in (965 mm)	ST
6061AN65B	60 x 6 in (1500 x 150 mm)	24.0 in (610 mm)	38.0 in (965 mm)	WT
6062AN	60 x 8 in (1500 x 200 mm)	48.0 in (1219 mm)	42.5 in (1079 mm)	*
6062AN85B	60 x 8 in (1500 x 200 mm)	24.0 in (610 mm)	39.6 in (1006 mm)	ST
6062AN65B	60 x 8 in (1500 x 200 mm)	24.0 in (610 mm)	39.6 in (1006 mm)	WT
6063AN	60 x 10 in (1500 x 250 mm)	48.0 in (1219 mm)	43.1 in (1095 mm)	*
6063AN85B	60 x 10 in (1500 x 250 mm)	24.0 in (610 mm)	39.3 in (999 mm)	ST
6063AN65B	60 x 10 in (1500 x 250 mm)	24.0 in (610 mm)	39.3 in (999 mm)	WT

* = PLAIN END
 ST = SOIL TIGHT
 WT = WATER TIGHT

NOTE: ALL FITTINGS DIMENSIONS ARE FOR REFERENCE ONLY



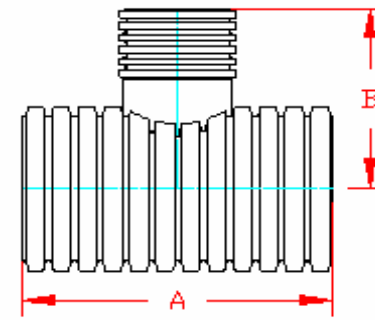
DRAWING #:	2445	
DRAWN BY:	JCB	05.01.06
APPROVED BY:	JCB	06.26.07
REVISIONS:	NJP	06.14.07

DUAL WALL FABRICATED REDUCING TEES
60"x12" - 60"x24" DIAMETER

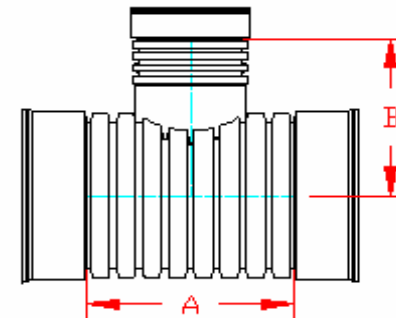
PART #	PIPE SIZE	A	B	JOINT
6064AN	60 x 12 in (1500 x 300 mm)	54.0 in (1372 mm)	42.5 in (1080 mm)	*
6064AN85B	60 x 12 in (1500 x 300 mm)	30.0 in (762 mm)	36.8 in (934 mm)	ST
6064AN65B	60 x 12 in (1500 x 300 mm)	30.0 in (762 mm)	36.8 in (934 mm)	WT
6065AN	60 x 15 in (1500 x 375 mm)	54.0 in (1372 mm)	46.0 in (1168 mm)	*
6065AN85B	60 x 15 in (1500 x 375mm)	30.0 in (762 mm)	38.2 in (971 mm)	ST
6065AN65B	60 x 15 in (1500 x 375 mm)	30.0 in (762 mm)	38.2 in (971 mm)	WT
6066AN	60 x 18 in (1500 x 450 mm)	60.0 in (1524 mm)	46.0 in (1168 mm)	*
6066AN85B	60 x 18 in (1500 x 450mm)	36.0 in (914 mm)	37.9 in (964 mm)	ST
6066AN65B	60 x 18 in (1500 x 450 mm)	36.0 in (914 mm)	37.9 in (964 mm)	WT
6067AN	60 x 24 in (1500 x 600 mm)	66.0 in (1676 mm)	48.9 in (1242 mm)	*
6067AN85B	60 x 24 in (1500 x 600mm)	42.0 in (1067 mm)	39.4 in (1002 mm)	ST
6067AN65B	60 x 24 in (1500 x 600 mm)	42.0 in (1067 mm)	39.4 in (1002 mm)	WT

* = PLAIN END
 ST = SOIL TIGHT
 WT = WATER TIGHT

NOTE: ALL FITTINGS DIMENSIONS ARE FOR REFERENCE ONLY



PLAIN END



ST & WT (INCLUDES 3 GASKETS)



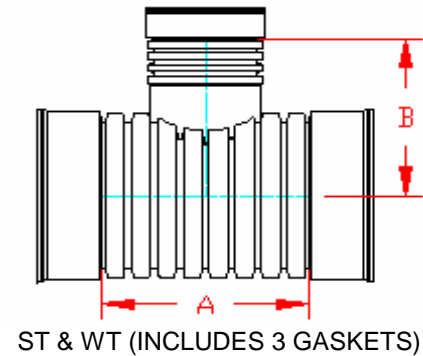
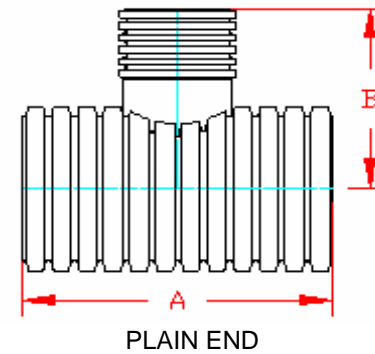
DRAWING #:	2445A	
DRAWN BY:	JCB	05.01.06
APPROVED BY:	JCB	06.26.07
REVISIONS:	NJP	06.14.07

DUAL WALL FABRICATED REDUCING TEES
60"x30" - 60"x48" DIAMETER

PART #	PIPE SIZE	A	B	JOINT
6068AN	60 x 30 in (1500 x 750 mm)	72.0 in (1829 mm)	49.9 in (1266 mm)	*
6068AN85B	60 x 30 in (1500 x 750 mm)	48.0 in (1219 mm)	37.5 in (952 mm)	ST
6068AN65B	60 x 30 in (1500 x 750 mm)	48.0 in (1219 mm)	37.5 in (952 mm)	WT
6069AN	60 x 36 in (1500 x 900 mm)	78.0 in (1981 mm)	53.9 in (1369 mm)	*
6069AN85B	60 x 36 in (1500 x 900 mm)	54.0 in (1372 mm)	37.1 in (943 mm)	ST
6069AN65B	60 x 36 in (1500 x 900 mm)	54.0 in (1372 mm)	38.1 in (969 mm)	WT
6040AN	60 x 42 in (1500 x 1050 mm)	84.0 in (2134 mm)	54.2 in (1375 mm)	*
6040AN85B	60 x 42 in (1500 x 1050 mm)	60.0 in (1524 mm)	38.6 in (980 mm)	ST
6040AN65B	60 x 42 in (1500 x 1050 mm)	60.0 in (1524 mm)	38.6 in (980 mm)	WT
6041AN	60 x 48 in (1500 x 1200 mm)	90.0 in (2286 mm)	57.2 in (1452 mm)	*
6041AN85B	60 x 48 in (1500 x 1200 mm)	66.0 in (1676 mm)	41.4 in (1052 mm)	ST
6041AN65B	60 x 48 in (1500 x 1200 mm)	66.0 in (1676 mm)	41.4 in (1052 mm)	WT

* = PLAIN END
ST = SOIL TIGHT
WT = WATER TIGHT

NOTE: ALL FITTINGS DIMENSIONS ARE FOR REFERENCE ONLY

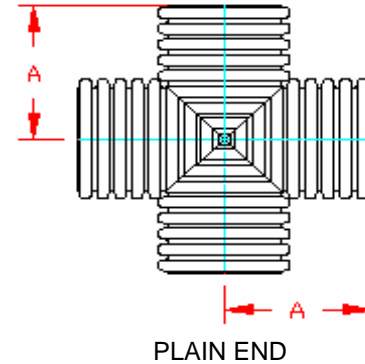


DRAWING #:	2445B	
DRAWN BY:	JCB	05.01.06
APPROVED BY:	JCB	06.26.07
REVISIONS:	NJP	06.14.07

DUAL WALL FABRICATED CROSS TEE
4" - 24" DIAMETER

PART #	PIPE SIZE	A	JOINT
0430AN	4 in (100 mm)	4.9 in (125 mm)	*
0631AN	6 in (150 mm)	7.0 in (177 mm)	*
0832AN	8 in (200 mm)	8.6 in (219 mm)	*
1033AN	10 in (250 mm)	12.0 in (304 mm)	*
1234AN	12 in (300 mm)	16.3 in (415 mm)	*
1535AN	15 in (375 mm)	19.4 in (494 mm)	*
1836AN	18 in (450 mm)	24.1 in (613 mm)	*
2437AN	24 in (600 mm)	29.9 in (760 mm)	*

* = PLAIN END



NOTE: ALL FITTINGS DIMENSIONS ARE FOR REFERENCE ONLY

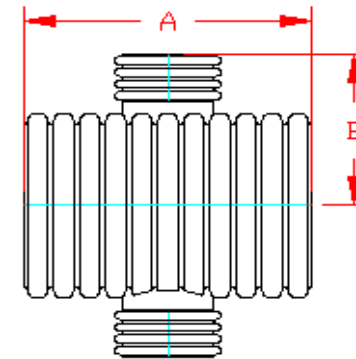


DRAWING #:	2450	
DRAWN BY:	JCB	04.06.06
APPROVED BY:	JCB	06.26.07
REVISIONS:	NJP	06.14.07

SMALL DIAMETER DUAL WALL FABRICATED REDUCING CROSS TEES
6" X 4" - 12" X 10" DIAMETER

REDUCING CROSS TEES


PART #	PIPE SIZE	A	B	C	JOINT
** 0630AN	6 x 4 in (150 x 100 mm)	14.7 in (374 mm)	9.9 in (252 mm)	14.7 in (374 mm)	*
** 0830AN	8 x 4 in (200 x 100 mm)	17.3 in (439 mm)	11.2 in (285 mm)	17.3 in (439 mm)	*
** 0831AN	8 x 6 in (200 x 150 mm)	20.2 in (512 mm)	11.5 in (293 mm)	20.2 in (512 mm)	*
** 1030AN	10 x 4 in (250 x 100 mm)	20.2 in (512 mm)	11.3 in (286 mm)	20.2 in (512 mm)	*
** 1031AN	10 x 6 in (250 x 150 mm)	20.2 in (512 mm)	13.1 in (332 mm)	20.2 in (512 mm)	*
** 1032AN	10 x 8 in (250 x 200 mm)	22.7 in (576 mm)	15.2 in (385 mm)	22.7 in (576 mm)	*
1230AN	12 x 4 in (300 x 100 mm)	30.7 in (780 mm)	13.6 in (345 mm)	30.7 in (780 mm)	*
1231AN	12 x 6 in (300 x 150 mm)	30.7 in (780 mm)	14.5 in (368 mm)	30.7 in (780 mm)	*
1232AN	12 x 8 in (300 x 200 mm)	30.7 in (780 mm)	17.0 in (432 mm)	30.7 in (780 mm)	*
1233AN	12 x 10 in (300 x 250 mm)	30.7 in (780 mm)	16.4 in (416 mm)	30.7 in (780 mm)	*



** LIMITED AVAILABILITY. PLEASE SEE INJECTION MOLDED FITTING SECTION FOR OTHER AVAILABLE FITTINGS

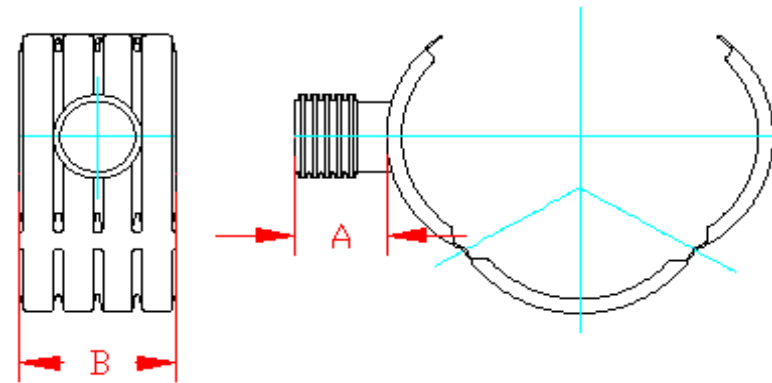
* = PLAIN END

NOTE: ALL FITTINGS DIMENSIONS ARE FOR REFERENCE ONLY

	DRAWING #:	2455
	DRAWN BY:	JCB 05.09.07
	APPROVED BY:	JCB 06.28.07
	REVISIONS:	TJR 1/29/2010

DUAL WALL FABRICATED REDUCING SADDLE TEE 8" - 15" DIAMETER

PART #	PIPE SIZE	A	B
** 0841AN	8 x 4 in (200 x 100 mm)	6.4 in (163 mm)	6.0 in (152 mm)
** 0841AN	8 x 6 in (200 x 150 mm)	7.8 in (198 mm)	6.0 in (152 mm)
** 1040AN	10 x 4 in (250 x 100 mm)	6.2 in (157 mm)	5.5 in (140 mm)
** 1041AN	10 x 6 in (250 x 150 mm)	7.7 in (196 mm)	11.0 in (279 mm)
** 1042AN	10 x 8 in (250 x 200 mm)	11.0 in (279 mm)	11.0 in (279 mm)
1240AN	12 x 4 in (300 x 100 mm)	5.8 in (147 mm)	7.8 in (197 mm)
1241AN	12 x 6 in (300 x 150 mm)	7.2 in (183 mm)	7.8 in (197 mm)
1242AN	12 x 8 in (300 x 200 mm)	10.6 in (269 mm)	15.8 in (400 mm)
1540AN	15 x 4 in (375 x 100 mm)	5.7 in (145 mm)	10.5 in (267 mm)
1541AN	15 x 6 in (375 x 150 mm)	7.1 in (180 mm)	10.5 in (267 mm)
1542AN	15 x 8 in (375 x 200 mm)	10.4 in (264 mm)	10.5 in (267 mm)



** LIMITED AVAILABILITY. PLEASE SEE INJECTION MOLDED FITTING SECTION FOR OTHER AVAILABLE FITTINGS

NOTE: ALL FITTINGS DIMENSIONS ARE FOR REFERENCE ONLY

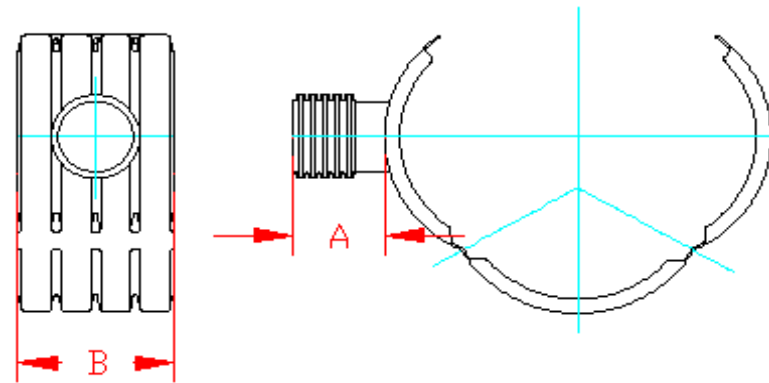


ADVANCED DRAINAGE SYSTEMS, INC.

DRAWING #:	2460	
DRAWN BY:	JCB	04.06.06
APPROVED BY:	JCB	06.26.07
REVISIONS:	TJR	5/19/2010

DUAL WALL FABRICATED REDUCING SADDLE TEE
18" - 24" DIAMETER

PART #	PIPE SIZE	A	B
1840AN	18 x 4 (450 x 100 mm)	5.4 in (137 mm)	10.5 in (267 mm)
1841AN	18 x 6 (450 x 150 mm)	6.8 in (173 mm)	10.5 in (267 mm)
1842AN	18 x 8 (450 x 200 mm)	10.2 in (259 mm)	10.5 in (267 mm)
2440AN	24 x 4 in (600 x 100 mm)	5.1 in (130 mm)	12.6 in (321 mm)
2441AN	24 x 6 in (600 x 150 mm)	6.5 in (165 mm)	12.6 in (321 mm)
2442AN	24 x 8 in (600 x 200 mm)	9.9 in (251 mm)	12.6 in (321 mm)
2443AN	24 x 10 in (600 x 250 mm)	10.7 in (272 mm)	12.6 in (320 mm)



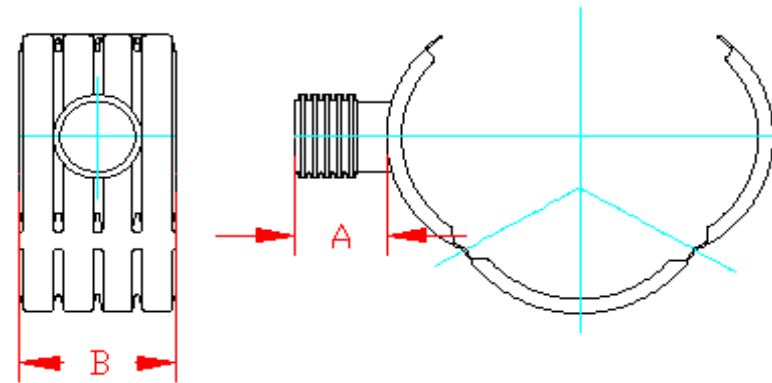
NOTE: ALL FITTINGS DIMENSIONS ARE FOR REFERENCE ONLY



DRAWING #:	2465	
DRAWN BY:	JCB	04.06.06
APPROVED BY:	JCB	06.26.07
REVISIONS:	TJR	5/19/2010

**DUAL WALL FABRICATED REDUCING SADDLE TEE
30" - 36" DIAMETER**

PART #	PIPE SIZE	A	B
3040AN	30 x 4 in (750 x 100 mm)	5.4 in (137 mm)	16.5 in (419 mm)
3041AN	30 x 6 in (750 x 150 mm)	6.8 in (173 mm)	16.5 in (419 mm)
3042AN	30 x 8 in (750 x 200 mm)	9.2 in (234 mm)	16.5 in (419 mm)
3043AN	30 x 10 in (750 x 250 mm)	10.0 in (254 mm)	16.5 in (419 mm)
3044AN	30 x 12 in (750 x 300 mm)	10.0 in (254 mm)	16.5 in (419 mm)
3045AN	30 x 15 in (750 x 375 mm)	13.0 in (330 mm)	16.5 in (419 mm)
3640AN	36 x 4 in (900 x 100 mm)	5.1 in (130 mm)	20.8 in (528 mm)
3641AN	36 x 6 in (900 x 150 mm)	6.5 in (165 mm)	20.8 in (528 mm)
3642AN	36 x 8 in (900 x 200 mm)	9.2 in (234 mm)	20.8 in (528 mm)
3643AN	36 x 10 in (900 x 250 mm)	9.7 in (246 mm)	20.8 in (528 mm)
3644AN	36 x 12 in (900 x 300 mm)	10.0 in (254 mm)	20.8 in (528 mm)
3645AN	36 x 15 in (900 x 375 mm)	13.0 in (330 mm)	20.8 in (528 mm)
3646AN	36 x 18 in (900 x 450 mm)	13.0 in (330 mm)	41.6 in (1057 mm)



NOTE: ALL FITTINGS DIMENSIONS ARE FOR REFERENCE ONLY



DRAWING #:	2470	
DRAWN BY:	JCB	07.13.06
APPROVED BY:	JCB	06.26.07
REVISIONS:	TJR	5/19/2010