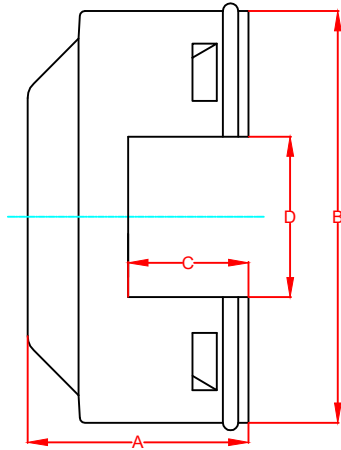
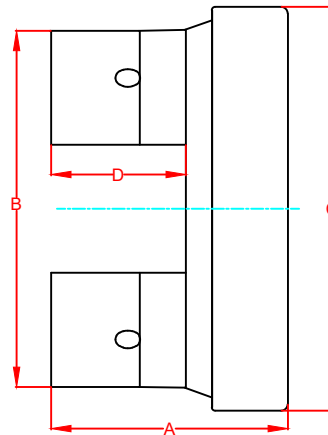


DURASLOT® END CAPS 4" - 36" DIAMETER

ST CLEATED END CAP FOR 4 & 8" PIPE DIAMETER



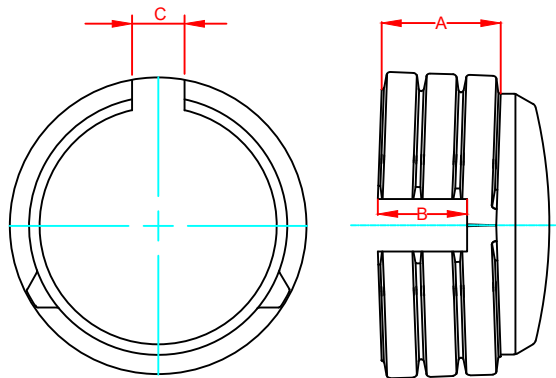
SPIGOT END CAP FOR 6 & 10" PIPE DIAMETER



STANDARD & VARIABLE SLOT RISER END CAP DIMENSIONS

PIPE DIAM.	A	B	C	D	PRODUCT #
4" (100mm)	2.75" (70mm)	5.125" (130mm)	1.5" (38mm)	2" (50mm)	0433DS
6" (150mm)	4.5" (114mm)	6.95" (177mm)	7.63" (194mm)	3" (76mm)	0633DS
8" (200mm)	4.25" (108mm)	9.875" (249mm)	2.5" (64mm)	2.5" (64mm)	0833DS
10" (250mm)	5" (127mm)	11.56" (294mm)	12.13" (308mm)	3.5" (89mm)	1033DS
12" (300mm)	5.76" (146mm)	4.25" (108mm)	2.5" (64mm)	NA	1233DS
15" (375mm)	7.77" (197mm)	6.25" (159mm)	2.5" (64mm)	NA	1533DS
18" (450mm)	8.04" (204mm)	6.50" (165mm)	2.5" (64mm)	NA	1833DS
24" (600mm)	9.45" (240mm)	8" (200mm)	2.5" (64mm)	NA	2433DS
30" (750mm)	NA	NA	NA	NA	3033AA
36" (900mm)	NA	NA	NA	NA	3633AA

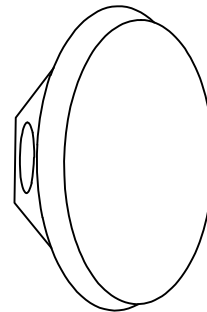
SPLIT END CAP FOR 12" - 24" PIPE DIAMETER



END VIEW

TOP VIEW

TAYLOR END PLUG FOR 30 & 36" PIPE DIAMETER



NOTES:

1. ALL FITTINGS DIMENSIONS ARE FOR REFERENCE ONLY
2. THE TAYLOR END PLUG IS UTILIZED AS A PERMANENT END TREATMENT WITH DURASLOT PIPE BECAUSE THE ENTIRE SYSTEM IS ENCASED IN CONCRETE

DRAWING #:	STD-1406
DRAWN BY:	CWS
APPROVED BY:	KAK
REVISIONS:	
SCALE:	NTS