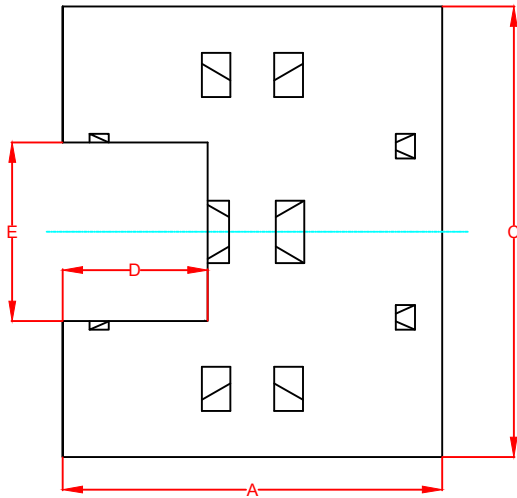
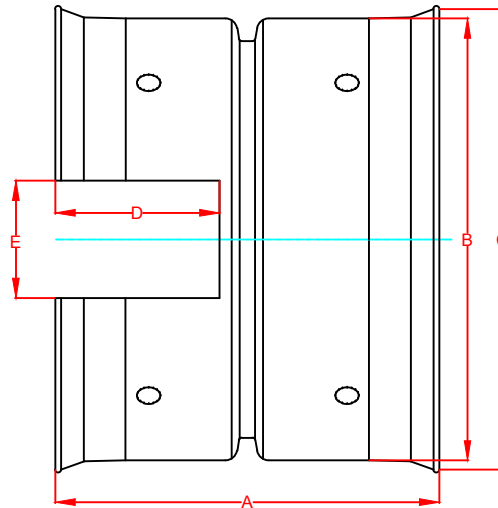


## DURASLOT® ADAPTERS 4" - 36" DIAMETER

ST CLEATED INTERNAL ADAPTER FOR 4" PIPE DIAMETER



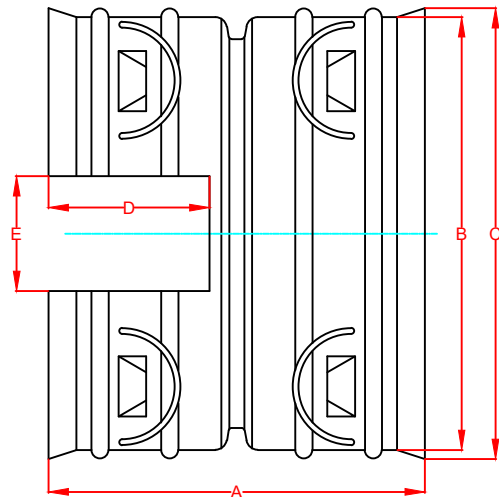
BELL-BELL ADAPTER FOR 6-10" PIPE DIAMETER



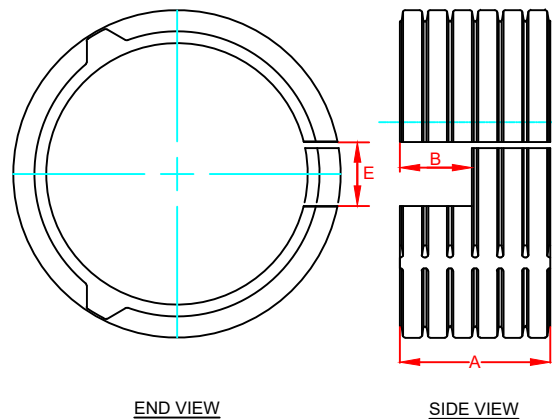
STANDARD & VARIABLE SLOT RISER ADAPTER DIMENSIONS

PIPE DIAM.	A	B	C	D	E	PRODUCT #
4" (100mm)	4" (100mm)	NA	4.75" (120mm)	1.25" (32mm)	2" (50mm)	0462DS
6" (150mm)	7.25" (184mm)	6.95" (177mm)	7.63" (194mm)	3" (76mm)	2.5" (64mm)	0662DS
8" (200mm)	8.25" (210mm)	9.17" (233mm)	10.13" (257mm)	3.5" (89mm)	2.5" (64mm)	0862DS
10" (250mm)	9.25" (235mm)	11.56" (294mm)	12.13" (308mm)	4" (100mm)	2.5" (64mm)	1062DS
12" (300mm)	14" (356mm)	14.6" (371mm)	15.4" (391mm)	5.5" (140mm)	2.5" (64mm)	1262DS
15" (375mm)	16" (406mm)	17.75" (449mm)	18.6" (472mm)	6.5" (165mm)	2.5" (64mm)	1562DS
18" (450mm)	18" (457mm)	21.4" (544mm)	22.4" (569mm)	7.5" (191mm)	2.5" (64mm)	1862DS
24" (600mm)	14.8" (374mm)	28.2" (716mm)	29.25" (743mm)	6" (152mm)	2.5" (64mm)	2462DS
30" (750mm)	16.5" (419mm)	8" (203mm)	NA	NA	2.5" (64mm)	3062DS
36" (900mm)	20.8" (528mm)	10" (254mm)	NA	NA	2.5" (64mm)	3662DS

ST CLEATED EXTERNAL ADAPTER FOR 12" PIPE DIAMETER  
NOTE: ACCEPTABLE ALTERNATE FOR THIS PART



SPLIT COUPLER ADAPTER FOR 30 & 36" PIPE DIAMETER



NOTES:  
ALL FITTINGS DIMENSIONS ARE FOR REFERENCE ONLY

DRAWING #:	STD-1405
DRAWN BY:	CWS
APPROVED BY:	KAK
REVISIONS:	
SCALE:	NTS