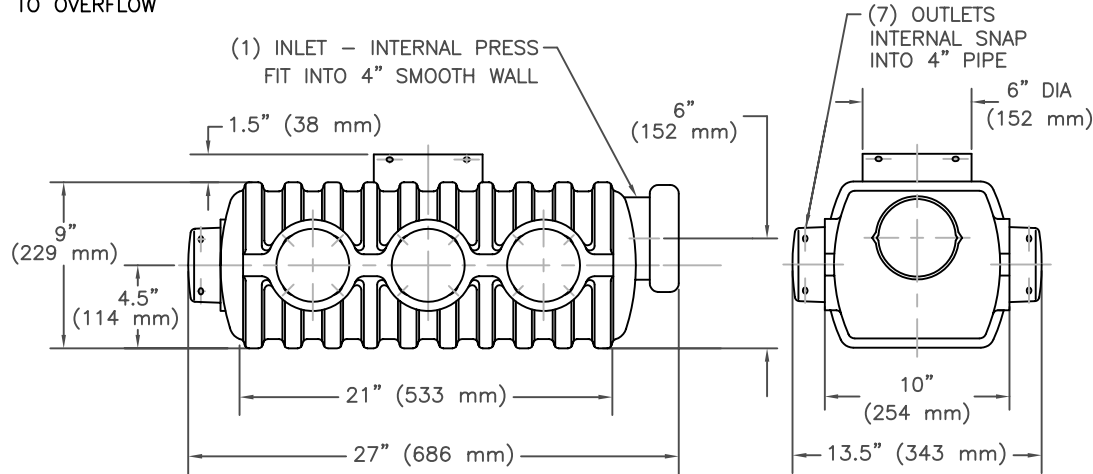


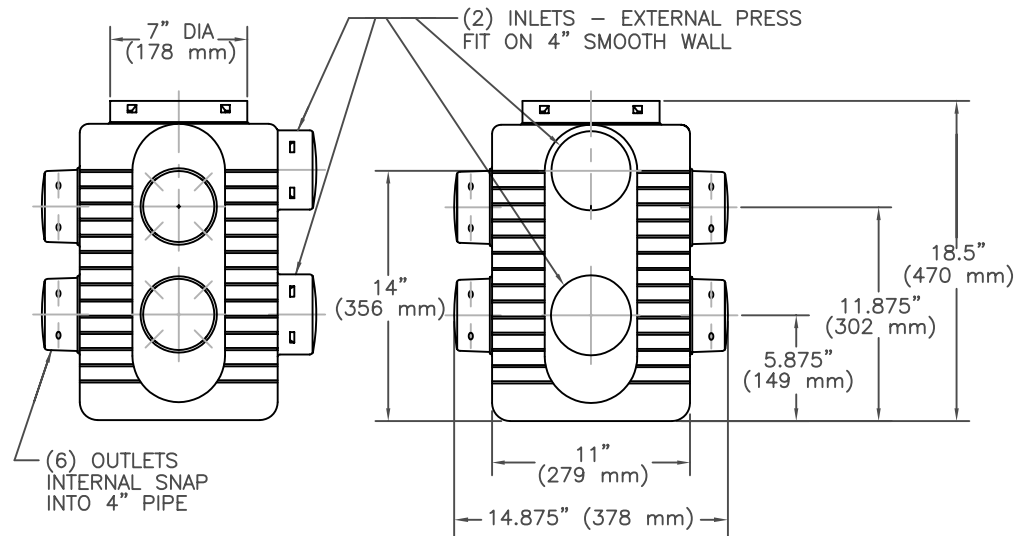
DISTRIBUTION BOXES

PART № 1369 (REGULAR)

CAPACITY:
7.25 GALLONS (28.4 LITERS)
TO OVERFLOW



PART № 1370 (HILLSIDE)



CAPACITY:
8 GALLONS (30.3 LITERS)
TO OVERFLOW

NOTE: ALL DIMENSIONS ARE NOMINAL



DRAWN BY JDP	07.25.02	APPROVED BY AWM	10.06.02
-----------------	----------	--------------------	----------

DRAWING # 6025

REVISIONS

BY	DATE