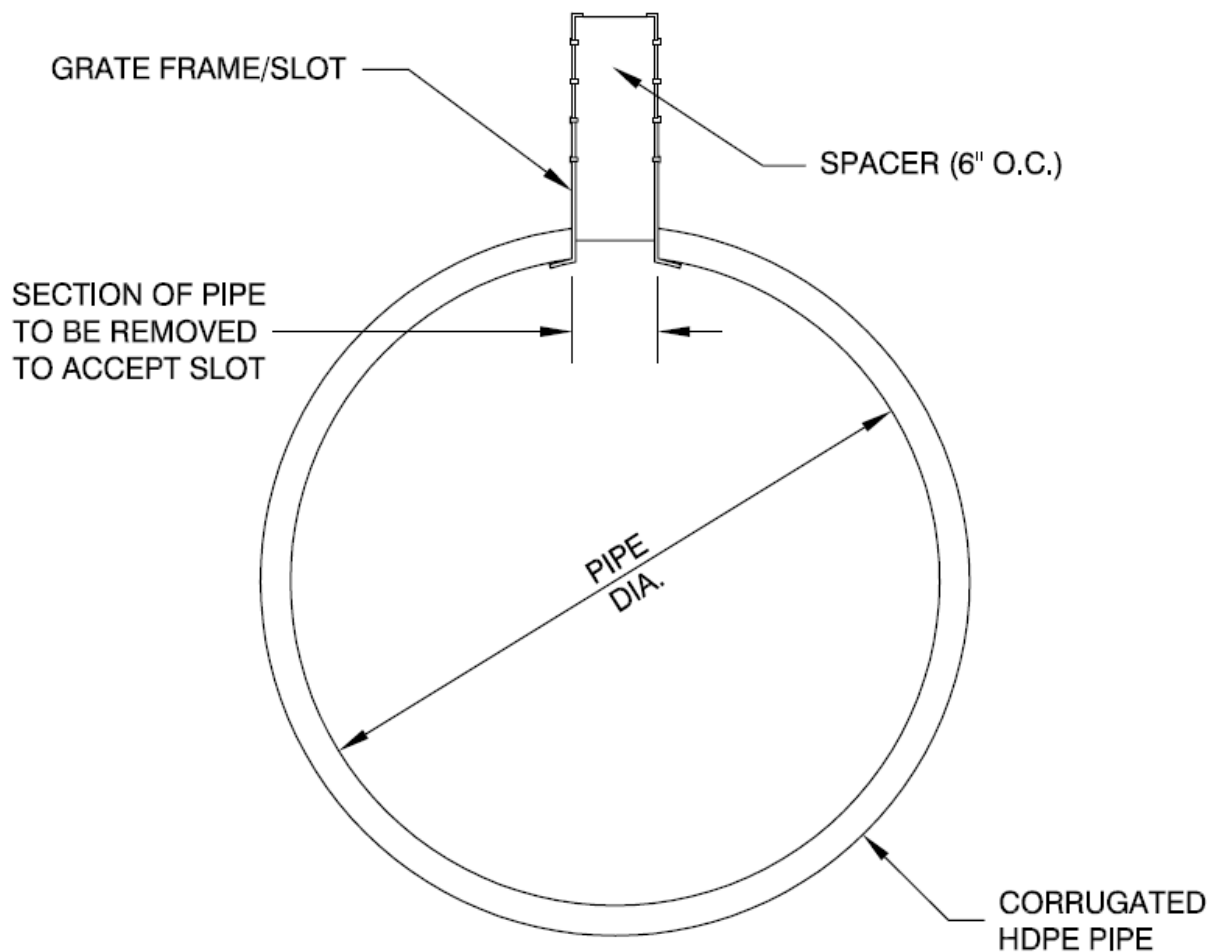


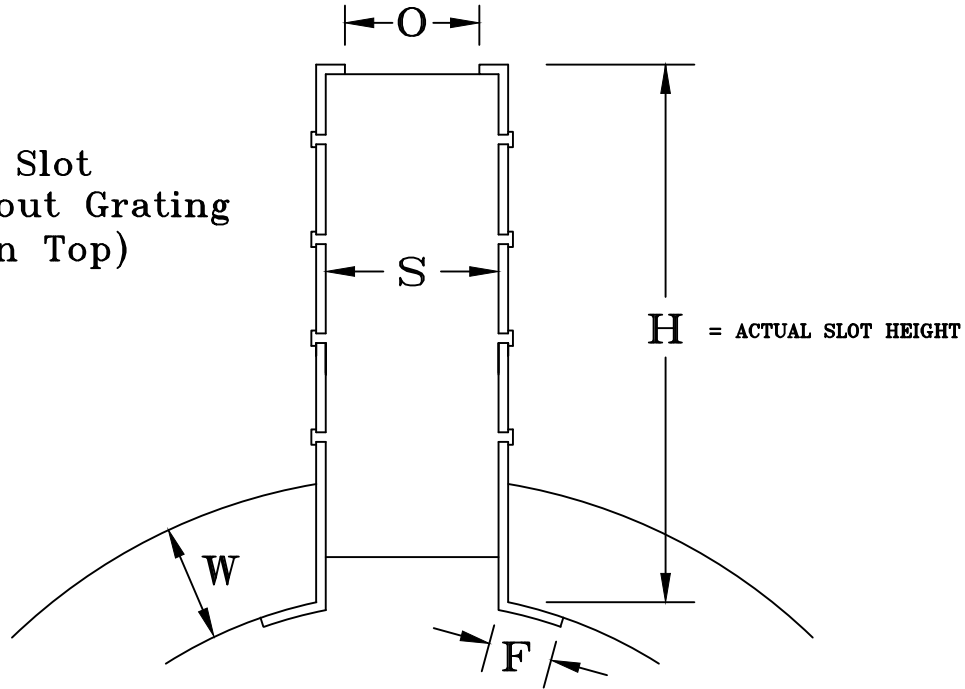
## DURASLOT<sup>®</sup> Surface Drain Specification

DURASLOT Surface Drains shall be manufactured from corrugated polyethylene pipe with a smooth interior wall, pipe and fittings conforming to AASHTO M252 and/or M294. A grate frame, that forms a slot, shall be mounted in the pipe so as to provide a linear inlet into the top of the pipe to collect surface runoff. The slot shall be manufactured from .063 tempered commercial aluminum and shall have two parallel plates separated by vertical spacers spanning the slot on 6" centers. The slot shall be coated with a primer to protect the aluminum when installed in concrete. The flange at the bottom of the slot shall be riveted to the pipe with a minimum of two rivets per linear foot. The pipe shall have a section removed to accept the slot so as to maintain the original diameter, providing ease in transition to conventional systems (see DURASLOT Fittings). Sizes and dimensions shall conform to the information on the DURASLOT Slot Dimensions Charts for the pipe diameter and slot height specified.



# DURASLOT<sup>®</sup> Slot Dimensions 12" to 36" Diameter Pipe

6" Slot  
Shown without Grating  
(Open Top)



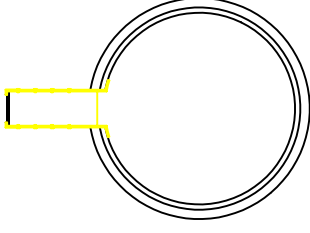
Product Description	Product #	PIPE DIAMETER	H	W	F	O	S
12" DIA. 2 ½" Slot Height	1220DS	12"	3½"	1⅛"	¾"	1¾"	2¼"
12" DIA. 6" Slot Height	1260DS	12"	7"	1⅛"	¾"	1¾"	2¼"
15" DIA. 6" Slot Height	1560DS	15"	7"	1¼"	¾"	1¾"	2¼"
18" DIA. 6" Slot Height	1860DS	18"	7"	1½"	¾"	1¾"	2¼"
24" DIA. 6" Slot Height	2460DS	24"	7¼"	1⅞"	1"	1¾"	2¼"
30" DIA. 6" Slot Height	3060DS	30"	8¼"	2½"	1"	1¾"	2¼"
36" DIA. 6" Slot Height	3660DS	36"	8¼"	2½"	1"	1¾"	2¼"

Dimension from grade to pipe invert:

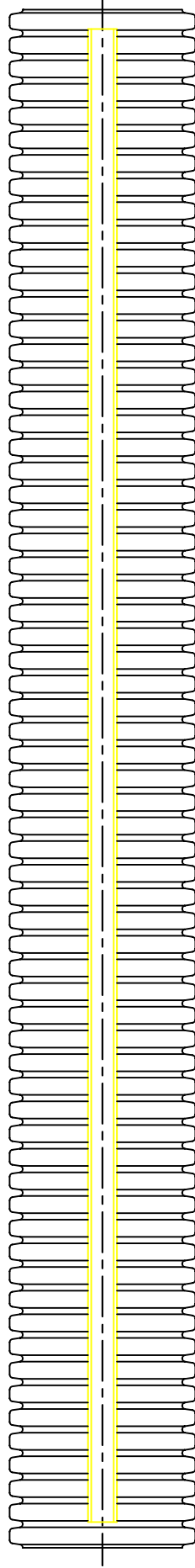
$$H \text{ (actual slot height)} + \text{PIPE DIAMETER} + \text{RECESS } \left(\frac{1}{4} - \frac{1}{2}\right)$$

12" DURASLOT® WITH 6" SLOT

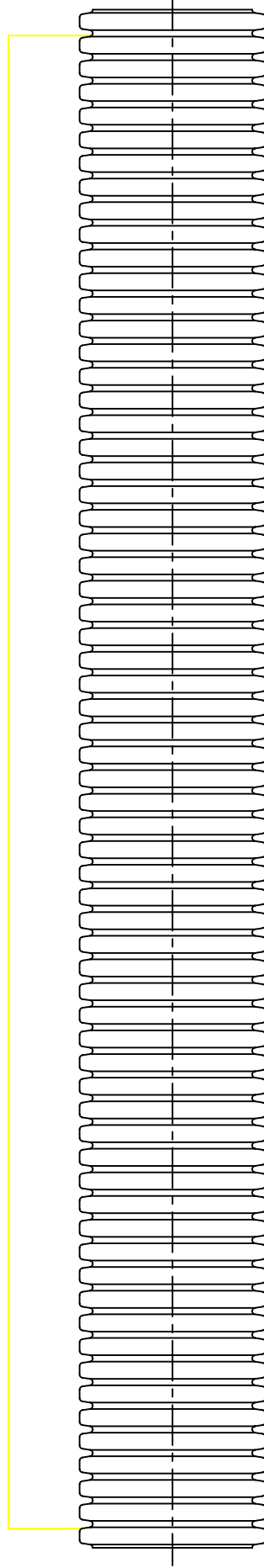
PIPE SIZE	PART N <sup>o</sup>
12"	1260-DS



C R O S S   S E C T I O N

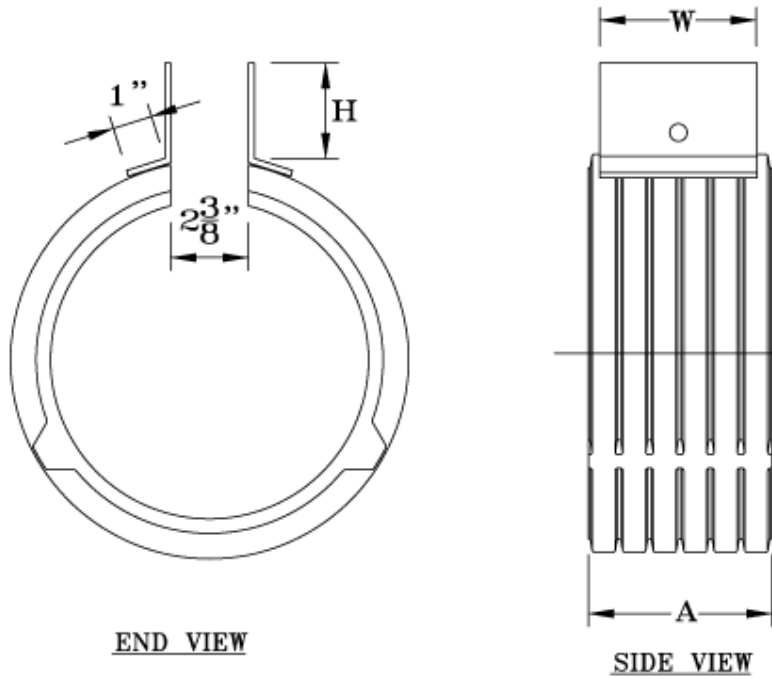


P L A N   V I E W



E L E V A T I O N

12", 15", 18", 24", 30", 36"  
DURASLOT® COUPLER BANDS

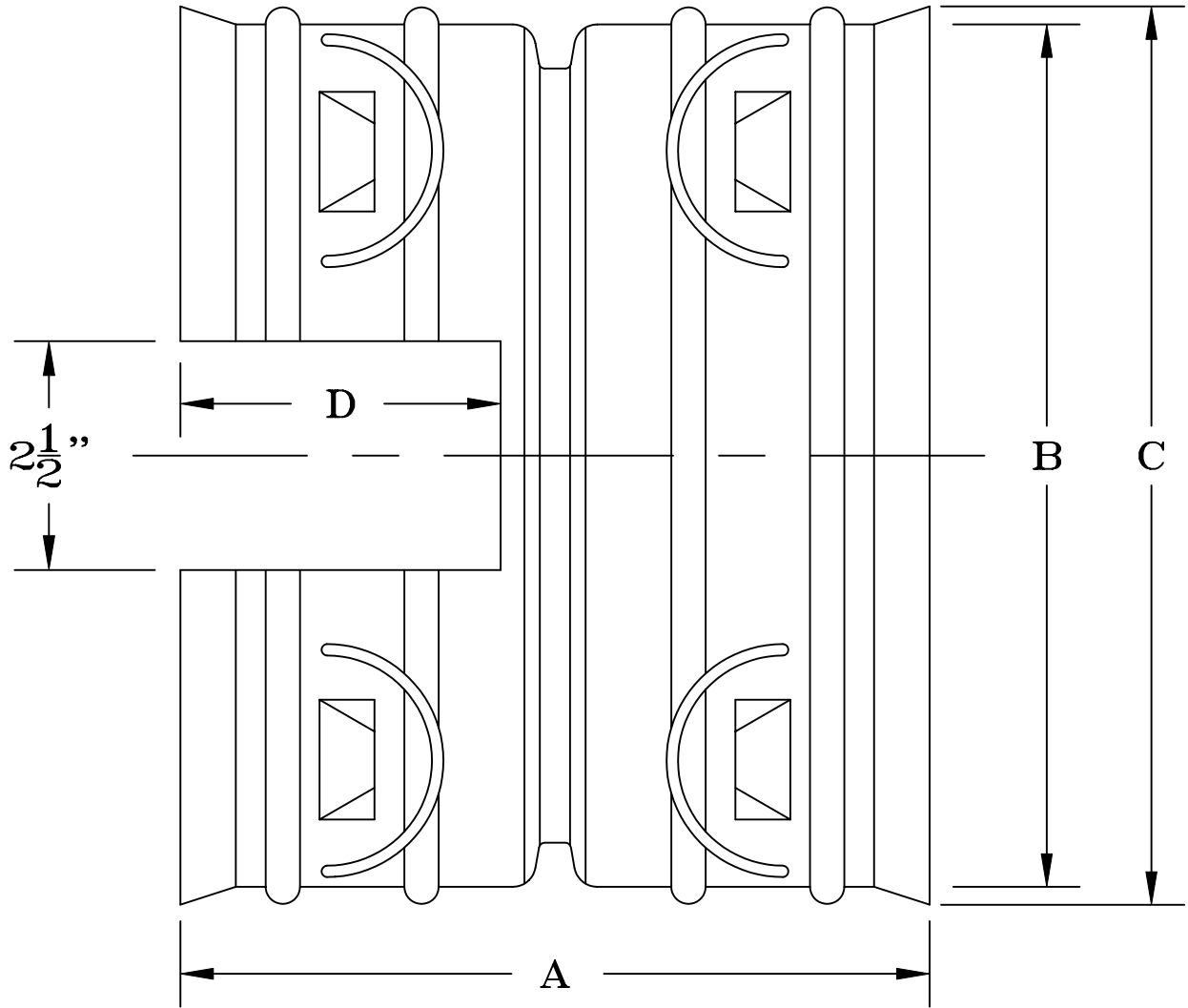


MODIFIED PART N <sup>o</sup>	ORIGINAL PART N <sup>o</sup>	PIPE SIZE	H	W	A
1221-DS	1265-AA	12"	2"	8"	7.75"
1226-DS	1265-AA	12"	5.5"	8"	7.75"
1526-DS	1565-AA	15"	5.25"	9"	10.5"
1826-DS	1865-AA	18"	5"	9"	10.5"
2426-DS	2465-AA	24"	5"	10"	12.63"
3026-DS	3065-AA	30"	5"	10"	16.5"
3626-DS	3661-AA	36"	5"	10"	20.8"

HCPS DWG #BD-4

“H” for Open Top is reduced by 1 ¾” to accommodate band flange (item L in Assembly Example)

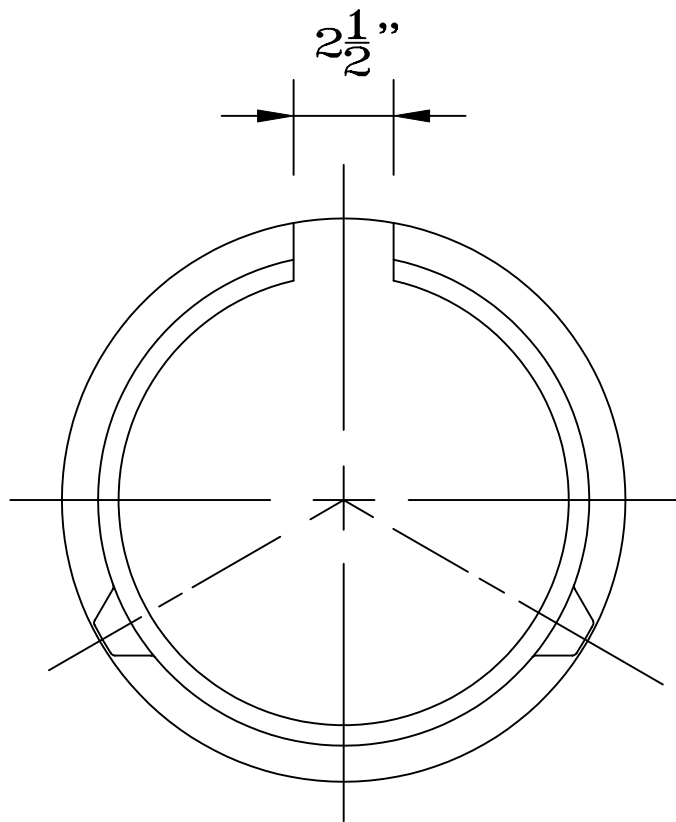
# 12", 15", 18", 24" DURASLOT® ADAPTER



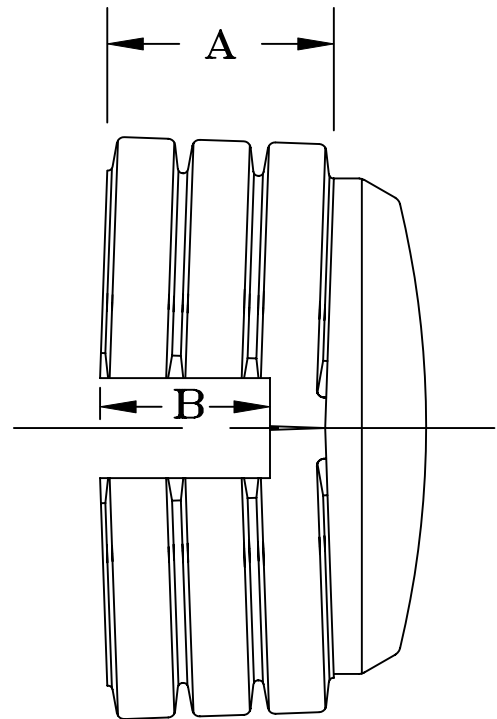
\* ACCEPTABLE ALTERNATE FOR THIS PART

MODIFIED PART N <sup>o</sup>	ORIGINAL PART N <sup>o</sup>	PIPE SIZE	A	B	C	D
1262-DS	1214-AA 1213-AA*	12"	14"	14.6"	15.4"	5.5"
1562-DS	1514-AA 1513-AA*	15"	16"	17.75"	18.6"	6.5"
1862-DS	1814-AA 1813-AA*	18"	18"	21.4"	22.4"	7.5"
2462-DS	2414-AA 2413-AA*	24"	14.8"	28.2"	29.25"	6"

12", 15", 18", 24" DURASLOT® END CAP

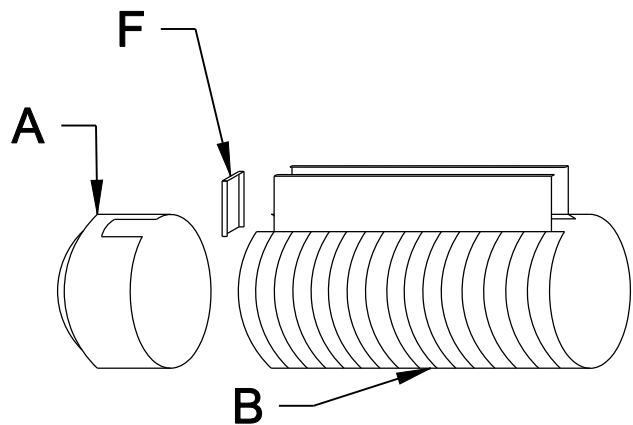


END VIEW

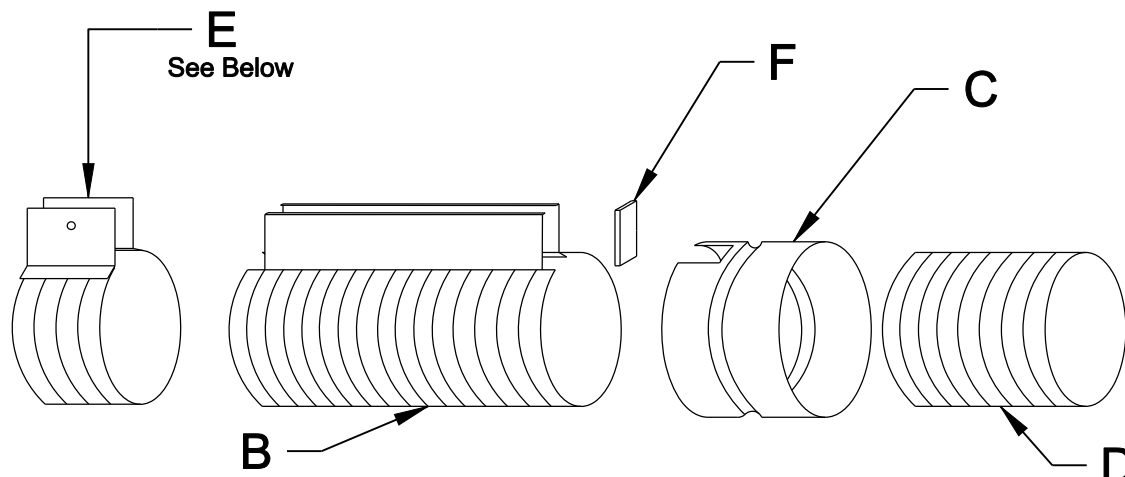


TOP VIEW

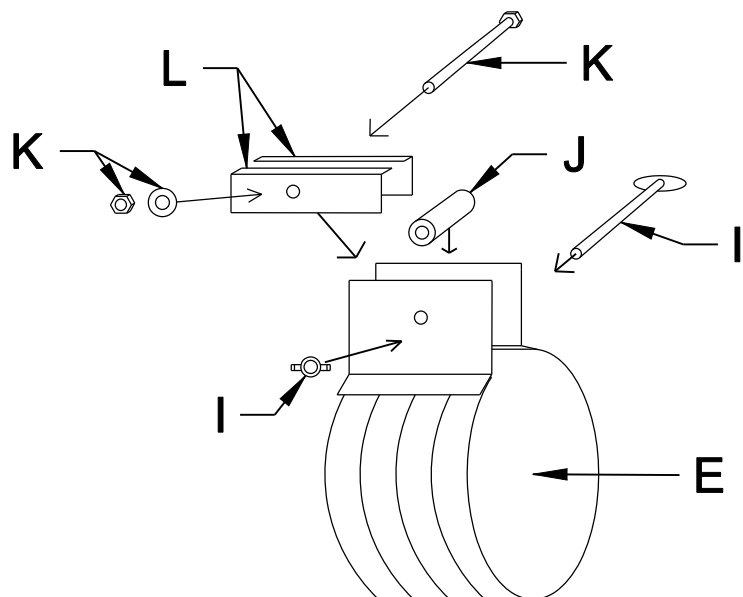
MODIFIED PART N <sup>o</sup>	ORIGINAL PART N <sup>o</sup>	PIPE SIZE	A	B
1233-DS	1267-AA	12"	5.76"	4.25"
1533-DS	1567-AA	15"	7.77"	6.25"
1833-DS	1867-AA	18"	8.04"	6.50"
2433-DS	2467-AA	24"	9.45"	8"



- A. DURASLOT End Cap
- B. DURASLOT Pipe
- C. DURASLOT Adapter
- D. ADS N-12 Pipe/ Hancor HiQ
- E. DURASLOT Coupler Band
- F. DURASLOT Slot Cap



- I.  $\frac{5}{16}$ " Thumbscrew x  $3\frac{1}{2}$ " Long w/  $\frac{5}{16}$ " Wingnut
- J. Plastic Sleeve Spacer (Goes on I.)
- K. Hex Head Assembly:  
  - $\frac{5}{16}$ " Hex Head Screw x  $3\frac{1}{2}$ " Long
  - w/ (2) Washers and  $\frac{5}{16}$ " Hex Nut
- L. DURASLOT Band Flanges



Each Cap A, Adapter C comes with an Cap F  
 Each Coupler Band E comes with Hardware I,J,K,L

Title DURASLOT® Surface Drains 12" - 24" DIA. (6" Slot Height) Open Top Slot Alternate Assembly Example		
Duraslot Inc. PO Box 1392 South Glens Falls, NY 12803 T: +1.518.747.7047 F: +1.518.747.6357	Dwg# ASO-04a	Date 06.18.2013
	Scale	