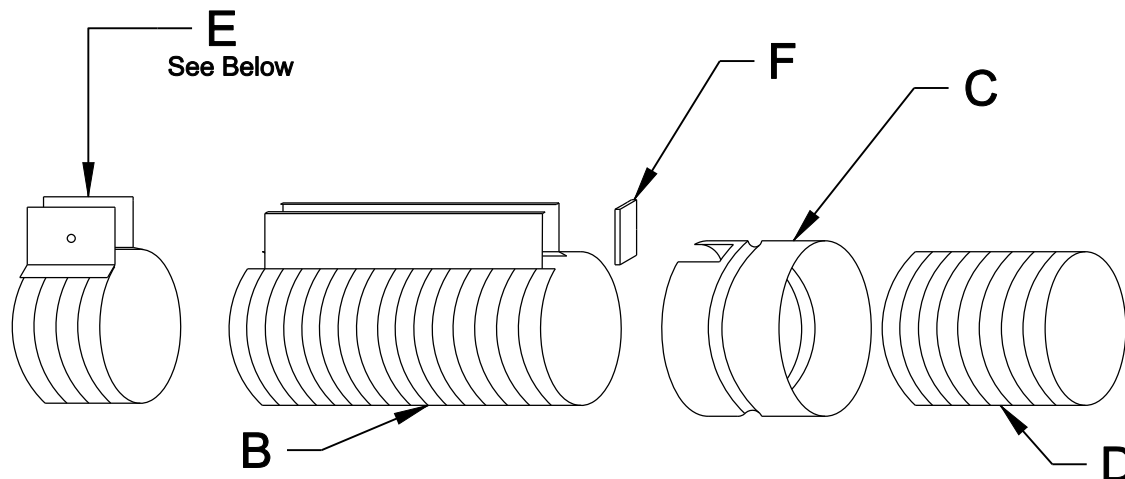
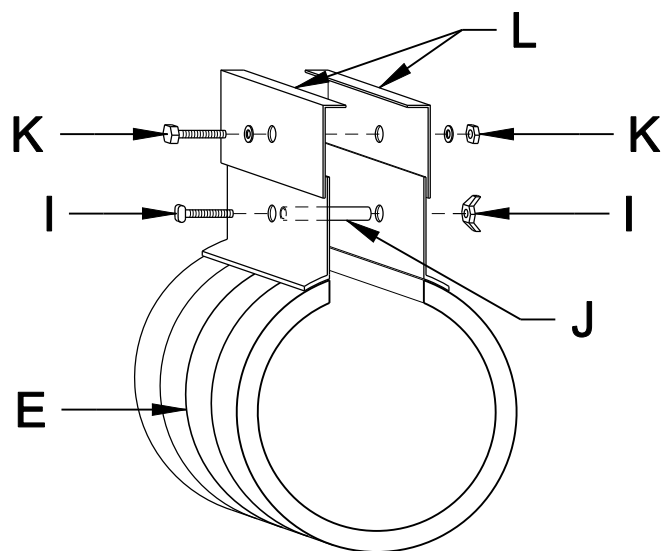


- A. DURASLOT End Cap
- B. DURASLOT Pipe
- C. DURASLOT Adapter
- D. ADS N-12 Pipe/ Hancor HiQ
- E. DURASLOT Coupler Band
- F. DURASLOT Slot Cap



- I. $\frac{5}{16}$ " Thumbscrew x $3\frac{1}{2}$ " Long w/ $\frac{5}{16}$ " Wingnut
- J. Plastic Sleeve Spacer (Goes on I.)
- K. Hex Head Assembly:
 - $\frac{5}{16}$ " Hex Head Screw x $3\frac{1}{2}$ " Long
 - w/ (2) Washers and $\frac{5}{16}$ " Hex Nut
- L. DURASLOT Band Flanges



Each Cap A, Adapter C comes with a Cap F
 Each Coupler Band E comes with Hardware I,J,K,L

Title DURASLOT® Surface Drains 6" - 24" DIA. (6" Slot Height) Open Top Slot Alternate Assembly Example		
Duraslot Inc. PO Box 1392 South Glens Falls, NY 12803 T: +1.518.747.7047 F: +1.518.747.6357	Dwg# ASO-03	Date 10.13.2015
	Scale	