

A. DURASLOT End Cap

B. DURASLOT Pipe

C. DURASLOT Adapter

D. ADS N-12 Pipe/Hancor HiQ

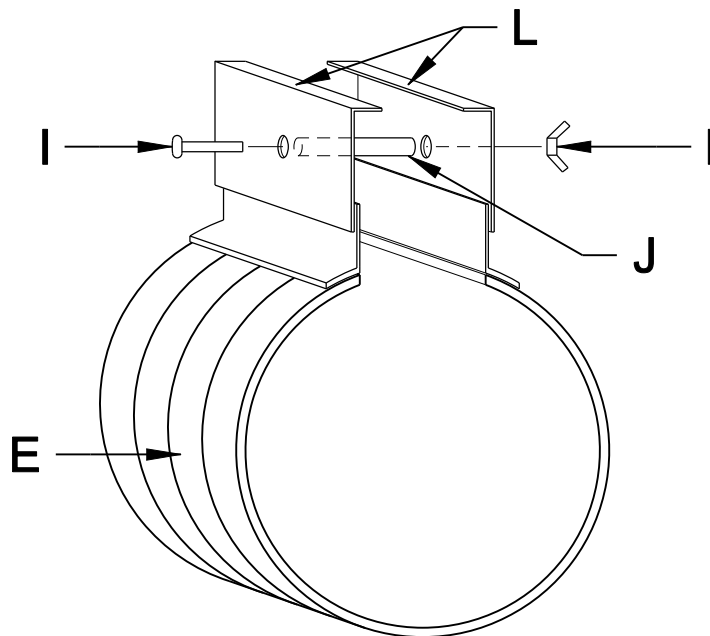
E. DURASLOT Coupler Band

F. DURASLOT Grate Anchor

I. $\frac{5}{16}$ " Thumbscrew x 3" Long w/ $\frac{5}{16}$ " Wingnut

J. Plastic Sleeve Spacer (Goes on I.)

L. DURASLOT Band Flanges



Each Cap A, Adapter C comes with a Cap F
 Each Coupler Band E comes with Hardware I,J,L

| | | |
|--|---------|------------|
| Title | | |
| DURASLOT® Surface Drains 6" - 24" DIA. (2 $\frac{1}{2}$ " Slot Height) Open Top Slot Assembly Example | | |
| Duraslot Inc. PO Box 1392 South Glens Falls, NY 12803 T: +1.518.747.7047 F: +1.518.747.6357 | Dwg# | Date |
| | ASO-04b | 04.28.2015 |
| | | Scale |
| | | |