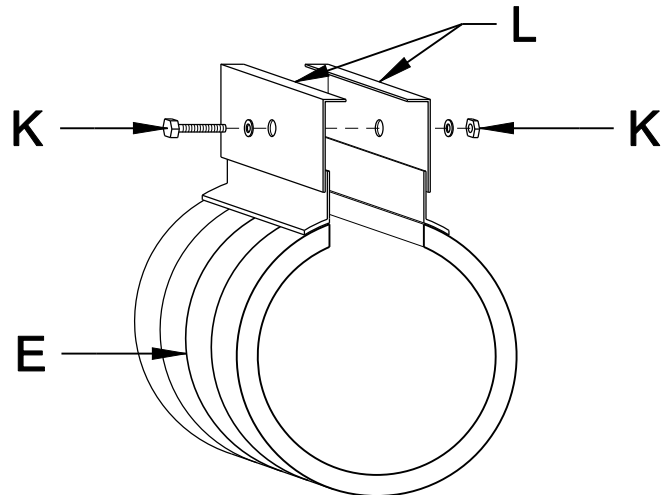


- A. DURASLOT End Cap
- B. DURASLOT Pipe
- C. DURASLOT Adapter
- D. ADS N-12 Pipe/ Hancor HiQ
- E. DURASLOT Coupler Band

- F. DURASLOT Slot Cap
- K. Hex Head Assembly:
 $\frac{5}{16}$ " Hex Head Screw x $3\frac{1}{2}$ " Long
w/ (2) Washers and 5#16" Hex Nut
- L. DURASLOT Band Flanges



Each Cap A, Adapter C comes with a Cap F
Each Coupler Band E comes with Hardware I,J,L

Title DURASLOT® Surface Drains 4" - 24" DIA. ($2\frac{1}{2}$" Slot Height) Open Top Slot Assembly Example		
Duraslot Inc. <small>PO Box 1392 South Glens Falls, NY 12803 T: +1.518.747.7047 F: +1.518.747.6357</small>	Dwg# ASO-02	Date 10.13.2015
	Scale	