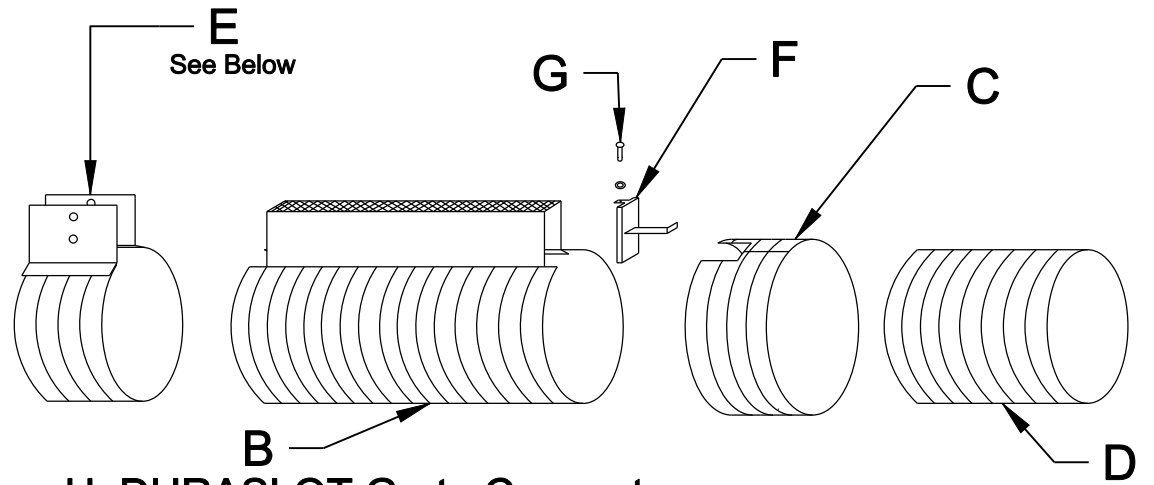
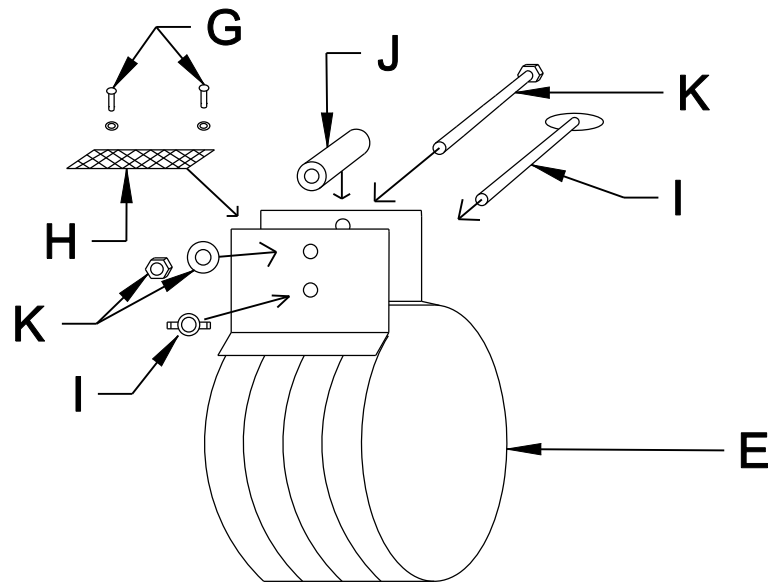


- A. Taylor Plug or Similar
- B. DURASLOT Pipe
- C. DURASLOT Adapter
- D. ADS N-12 Pipe/ Hancor HiQ
- E. DURASLOT Coupler Band
- F. DURASLOT Grate Anchor
- G. 1/4" SPHS x 1" Long w/ Washer



- H. DURASLOT Grate Connector
- I. 5/16" Thumbscrew x 3 1/2" Long w/ 5/16" Wingnut
- J. Plastic Sleeve Spacer (Goes on I.)
- K. Hex Head Assembly:  
 5/16" Hex Head Screw x 3 1/2" Long  
 w/ (2) Washers and 5/16" Hex Nut



Each Cap A, Adapter C comes with an Anchor F  
 Each Coupler Band E comes with Hardware G,H,I,J,K

Title		
DURASLOT® Surface Drains 30" - 36" DIA. Slot W/ Grate Assembly Example		
<b>Duraslot Inc.</b> <small>PO Box 1392 South Glens Falls, NY 12803 T: +1.518.747.7047 F: +1.518.747.6357</small>	Dwg#	Date
	ASG-05	06.17.2013
		Scale