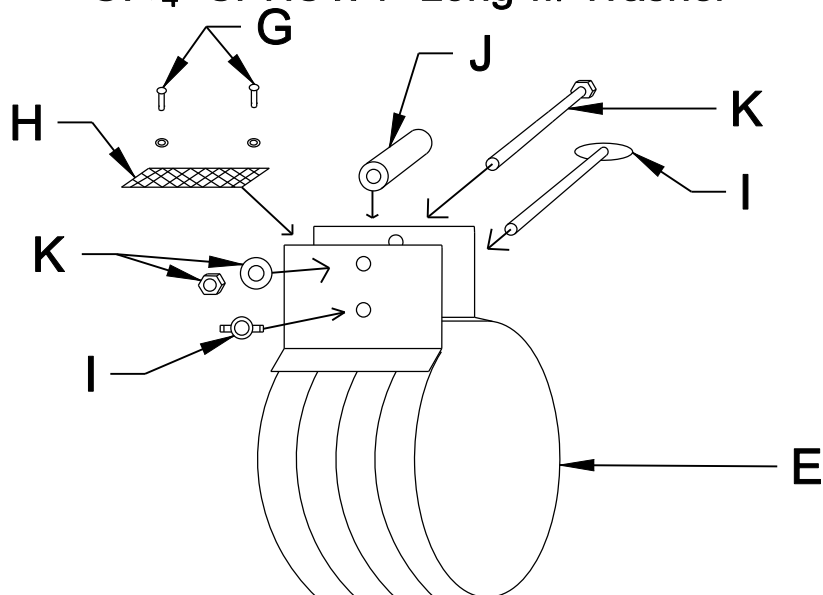


- A. DURASLOT End Cap
- B. DURASLOT Pipe
- C. DURASLOT Adapter
- D. ADS N-12 Pipe/ Hancor HiQ
- E. DURASLOT Coupler Band
- F. DURASLOT Grate Anchor
- G. $\frac{1}{4}$ " SPHS x 1" Long w/ Washer

- H. DURASLOT Grate Connector
- I. $\frac{5}{16}$ " Thumbscrew x $3\frac{1}{2}$ " Long w/ (2) $\frac{5}{16}$ " Wingnut
- J. Plastic Sleeve Spacer (Goes on I.)
- K. Hex Head Assembly:
 $\frac{5}{16}$ " Hex Head Screw x $3\frac{1}{2}$ " Long
w/ (2) Washers and $\frac{5}{16}$ " Hex Nut



Each Cap A, Adapter C comes with an Anchor F
Each Coupler Band E comes with Hardware G,H,I,J,K

Title DURASLOT® Surface Drains 12" - 24" DIA. (6" Slot Height) Slot W/ Grate Assembly Example		
Duraslot Inc. PO Box 1392 South Glens Falls, NY 12803 T: +1.518.747.7047 F: +1.518.747.6357	Dwg# ASG-04	Date 06.18.2013
	Scale	