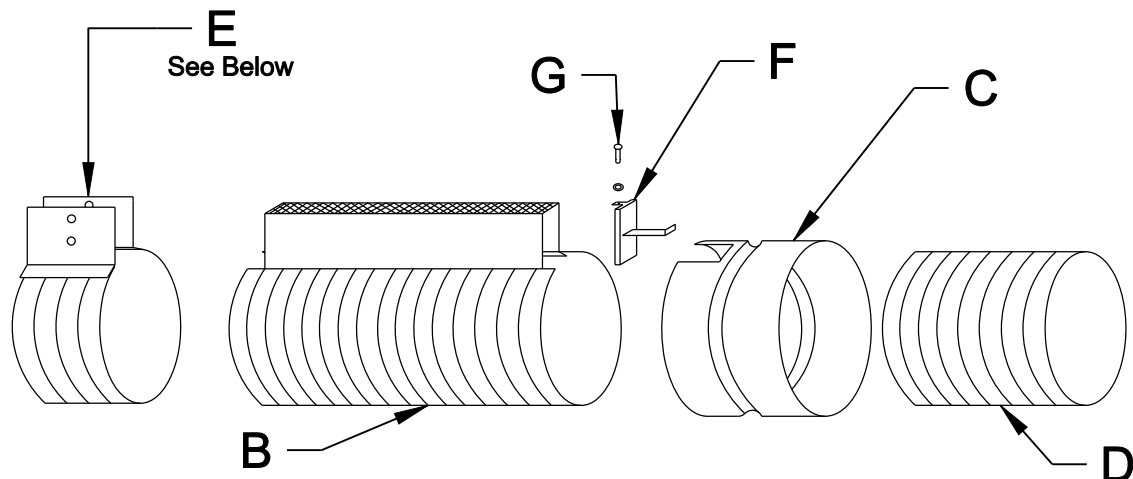


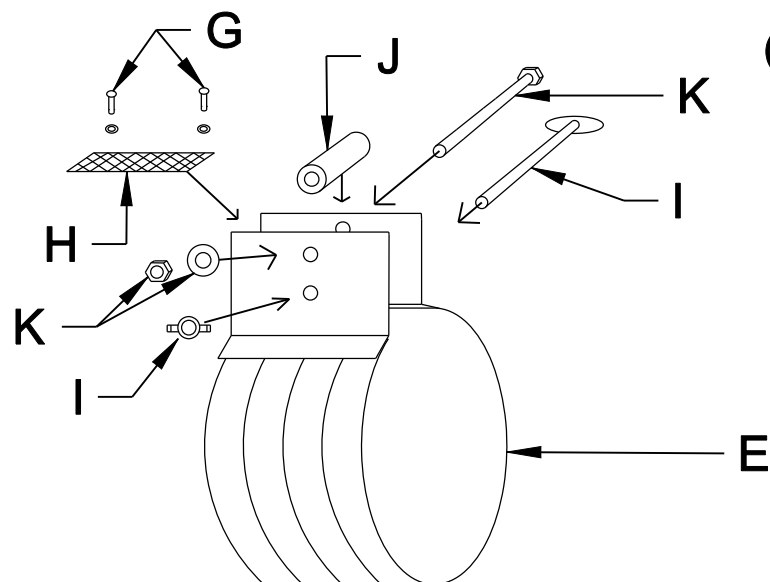
- A. DURASLOT End Cap
- B. DURASLOT Pipe
- C. DURASLOT Adapter
- D. ADS N-12 Pipe/Hancor HiQ
- E. DURASLOT Coupler Band
- F. DURASLOT Grate Anchor
- G. 1/4" SPHS x Long w/ Washer



- H. DURASLOT Grate Connector
- I. 5/16" Thumbscrew x 3" Long w/ 5/16" Wingnut
- J. Plastic Sleeve Spacer (Goes on I. - not used with 4" DIA.)
- K. Hex Head Assembly:
 5/16" Hex Head Screw x 3" Long
 w/ (2) Washers and 5/16" Hex Nut

(K. used with 12" DIA. and up, 6" Slot Height and Taller)

Each Cap A, Adapter C comes with an Anchor F
 Each Coupler Band E comes with Hardware G,H,I,J,K



Title		
DURASLOT® Surface Drains Complete DURASLOT® Assembly Example		
Duraslot Inc. <small>PO Box 1392 South Glens Falls, NY 12803 T: +1.518.747.7047 F: +1.518.747.6357</small>	Dwg#	Date
	ASG-01	06.17.2013
	Scale	