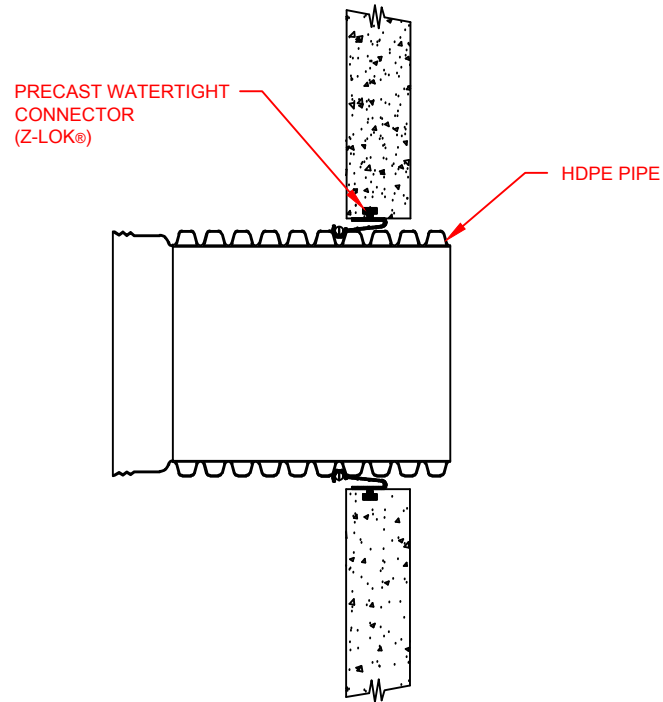


# 12"-36" HDPE WATERTIGHT MANHOLE CONNECTION USING Z-LOK BOOT



PIPE SIZE	PIPE OD		Z-LOK® **	
	A-PROFILE	H-PROFILE	A-PROFILE	H-PROFILE
12" (300mm)	14.5" (368mm)	N/A	8016	N/A
15" (375mm)	17.6" (447mm)	N/A	8019	N/A
18" (450MM)	21.2" (538mm)	N/A	8022	N/A
24" (600MM)	27.8" (706mm)	N/A	8029	N/A
30" (600MM)	35.1" (892mm)	N/A	8039	N/A
36" (600MM)	41.1" (1044mm)	41.4" (1052mm)	8029	8045

\*\* THIRD PARTY - CODES AS SUPPLIED BY MANUFACTURER  
Z-LOK is a registered trademark of A-LOK® Products, Inc. (www.a-lok.com)

**NOTES:**  
PERFORMANCE HIGHLY DEPENDENT ON INSTALLATION. CONTRACTOR MUST ENSURE MANHOLE GASKET IS UNIFORMLY SEATED AROUND STRUCTURE ADAPTER. EXTRA PRECAUTIONS MUST BE TAKEN TO PREVENT DIFFERENTIAL SETTLEMENT BETWEEN THE PIPE AND MANHOLE.

SEE STANDARD DETAIL STD-201 AND TECHNICAL NOTE: 5.04 HDPE CONNECTIONS TO MANHOLES AND STRUCTURES FOR INSTALLATION RECOMMENDATIONS.

© 2016 ADS, INC.

5	ADDED METRIC UNITS AND RENAMED	TJR	01/14/16	
REV.	DESCRIPTION	BY	MM/DD/YY	CHK'D

ADVANCED DRAINAGE SYSTEMS, INC. ("ADS") HAS PREPARED THIS DETAIL BASED ON INFORMATION PROVIDED TO ADS. THIS DRAWING IS INTENDED TO DEPICT THE COMPONENTS AS REQUESTED. ADS HAS NOT PERFORMED ANY ENGINEERING OR DESIGN SERVICES FOR THIS PROJECT, NOR HAS ADS INDEPENDENTLY VERIFIED THE INFORMATION SUPPLIED. THE INSTALLATION DETAILS PROVIDED HEREIN ARE GENERAL RECOMMENDATIONS AND ARE NOT SPECIFIC FOR THIS PROJECT. THE DESIGN ENGINEER SHALL REVIEW THESE DETAILS PRIOR TO CONSTRUCTION. IT IS THE DESIGN ENGINEERS RESPONSIBILITY TO ENSURE THE DETAILS PROVIDED HEREIN MEETS OR EXCEEDS THE APPLICABLE NATIONAL, STATE, OR LOCAL REQUIREMENTS AND TO ENSURE THAT THE DETAILS PROVIDED HEREIN ARE ACCEPTABLE FOR THIS PROJECT.

<b>12"-36" HDPE WATER-TIGHT MH MECHANICAL</b>		4640 TRUEMAN BLVD HILLIARD, OHIO 43026	DRAWN BY: CKS DATE: 10/10/06 CVD BY: SCALE: NTS SHEET: 1 OF 1
		DRAWING NUMBER: STD-204D	