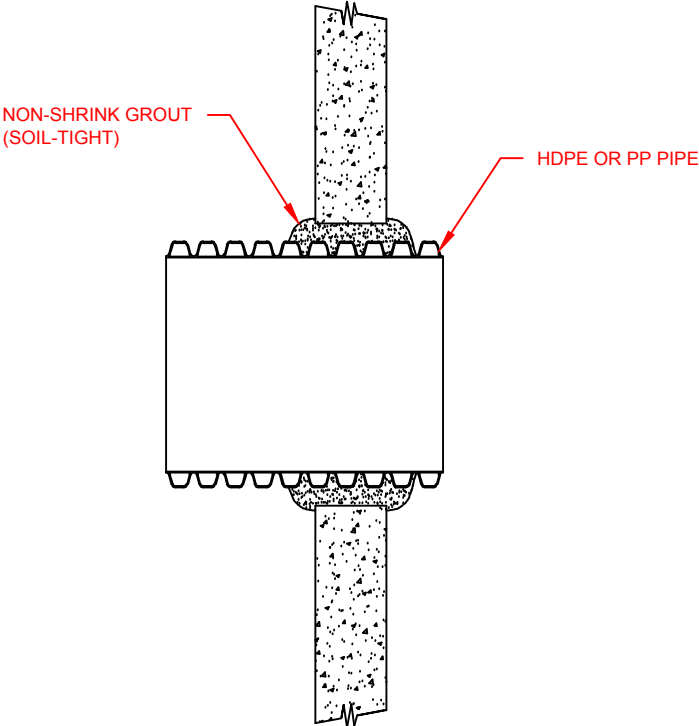


12"-60" HDPE OR PP SOIL-TIGHT GROUTED MANHOLE CONNECTION



NOTES:
 SEE STANDARD DETAIL STD-201 AND TECHNICAL NOTE: 5.04
 CONNECTIONS TO MANHOLES AND STRUCTURES FOR INSTALLATION
 RECOMMENDATIONS.

© 2016 ADS, INC.

6	RENAMED DRAWING	TJR	03/10/16	
REV.	DESCRIPTION	BY	MM/DD/YY	CHK'D

ADVANCED DRAINAGE SYSTEMS, INC. ("ADS") HAS PREPARED THIS DETAIL BASED ON INFORMATION PROVIDED TO ADS. THIS DRAWING IS INTENDED TO DEPICT THE COMPONENTS AS REQUESTED. ADS HAS NOT PERFORMED ANY ENGINEERING OR DESIGN SERVICES FOR THIS PROJECT, NOR HAS ADS INDEPENDENTLY VERIFIED THE INFORMATION SUPPLIED. THE INSTALLATION DETAILS PROVIDED HEREIN ARE GENERAL RECOMMENDATIONS AND ARE NOT SPECIFIC FOR THIS PROJECT. THE DESIGN ENGINEER SHALL REVIEW THESE DETAILS PRIOR TO CONSTRUCTION. IT IS THE DESIGN ENGINEERS RESPONSIBILITY TO ENSURE THE DETAILS PROVIDED HEREIN MEETS OR EXCEEDS THE APPLICABLE NATIONAL, STATE, OR LOCAL REQUIREMENTS AND TO ENSURE THAT THE DETAILS PROVIDED HEREIN ARE ACCEPTABLE FOR THIS PROJECT.

12"-60" HDPE PP SOIL-TIGHT GROUTED MH CONNECTION	
DRAWING NUMBER:	STD-202



4640 TRUEMAN BLVD
 HILLIARD, OHIO 43026

ADVANCED DRAINAGE SYSTEMS, INC.

DRAWN BY:	BRV
DATE:	9/15/06
CAD BY:	
SCALE:	NTS
SHEET:	1 OF 1