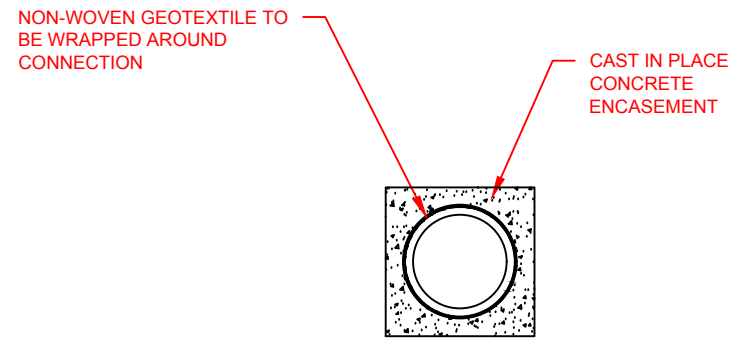
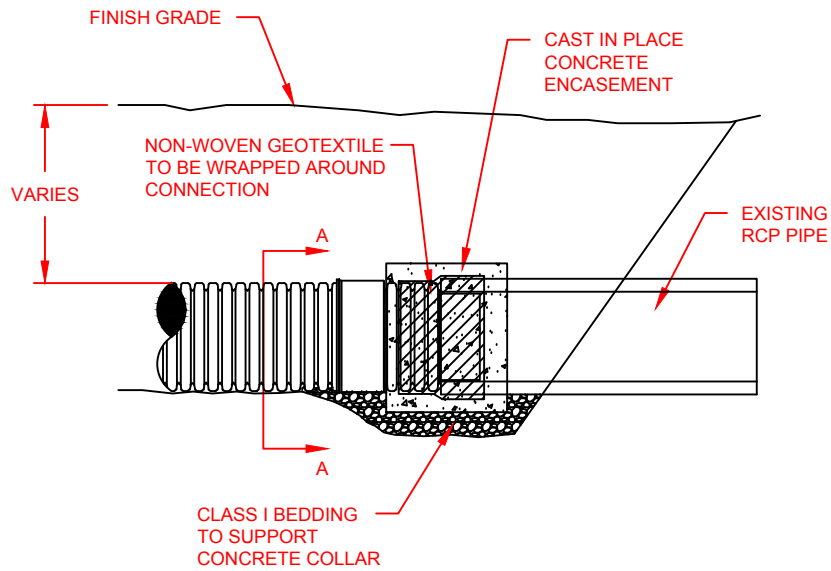
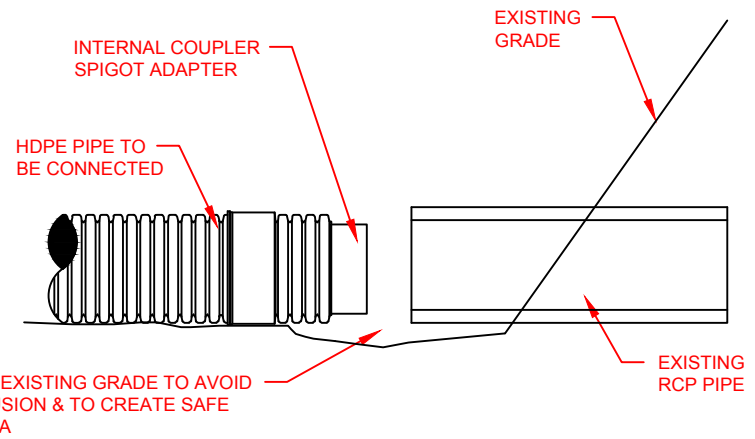


**NOTES:**

1. CONNECTION AND PIPE TO BE BACKFILLES PER ASTM D2321.
2. IN LIEU OF AN INTERNAL CYLINDER, AN HDPE WATERTIGHT REPAIR COUPLER CAN BE USED TO CONNECT HDPE PIPE TO CMP.
3. INTERNAL CYLINDER ADAPTER IS NOT RECOMMENDED FOR DOWNSTREAM CONNECTIONS.



SECTION "A-A"

© 2016 ADS, INC.

ADVANCED DRAINAGE SYSTEMS, INC. ("ADS") HAS PREPARED THIS DETAIL BASED ON INFORMATION PROVIDED TO ADS. THIS DRAWING IS INTENDED TO DEPICT THE COMPONENTS AS REQUESTED. ADS HAS NOT PERFORMED ANY ENGINEERING OR DESIGN SERVICES FOR THIS PROJECT, NOR HAS ADS INDEPENDENTLY VERIFIED THE INFORMATION SUPPLIED. THE INSTALLATION DETAILS PROVIDED HEREIN ARE GENERAL RECOMMENDATIONS AND ARE NOT SPECIFIC FOR THIS PROJECT. THE DESIGN ENGINEER SHALL REVIEW THESE DETAILS PRIOR TO CONSTRUCTION. IT IS THE DESIGN ENGINEERS RESPONSIBILITY TO ENSURE THE DETAILS PROVIDED HEREIN MEETS OR EXCEEDS THE APPLICABLE NATIONAL, STATE, OR LOCAL REQUIREMENTS AND TO ENSURE THAT THE DETAILS PROVIDED HEREIN ARE ACCEPTABLE FOR THIS PROJECT.

|      |                                |     |          |       |
|------|--------------------------------|-----|----------|-------|
| 2    | FORMATTING UPDATES AND RENAMED | TJR | 02/19/16 |       |
| REV. | DESCRIPTION                    | BY  | MM/DD/YY | CHK'D |

**HDPE TO RCP CONNECTION (GEOTEXTILE WRAP)**

DRAWING NUMBER: STD-603



4640 TRUEMAN BLVD  
HILLIARD, OHIO 43026

|          |          |
|----------|----------|
| DRAWN BY | K.J.M.   |
| DATE     | 03/09/04 |
| CAD FILE |          |
| SCALE    | NTS      |
| SHEET    | 1 OF 1   |