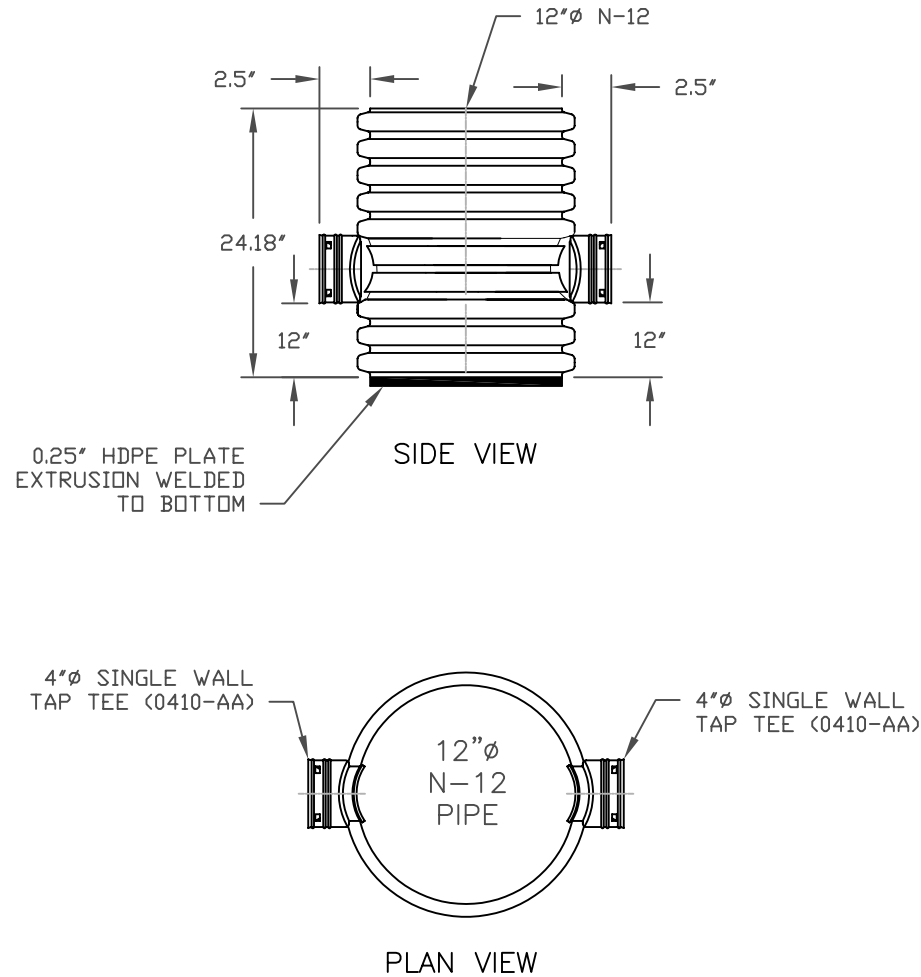



12" N-12 REAR YARD CATCH BASIN WITH 2-4"Ø TAP CONNECTIONS



PART # 1202AN04

NOTE: SINGLE WALL TAP TEE TO BE EXTRUSION WELDED TO 12"Ø N-12

NOTE: ALL DIMENSIONS ARE NOMINAL

 ADVANCED DRAINAGE SYSTEMS, INC.			REVISIONS		
			BY	DATE	
DRAWN BY KAH	12.6.04	APPROVED BY	DRAWING # 6095		