

# **SaniTite® HP Sanitary Sewer Pipe** **12"–60"**



# SANITITE® HP PIPE 12”-60” FOR SANITARY SEWER

## Meets ASTM F2764\*

SaniTite HP (High Performance) couples advanced polypropylene resin technology with a proven dual wall (12”-30”) and exclusive triple wall (30”-60”) profile design for superior performance and durability. SaniTite HP meets and exceeds typical standards for pipe stiffness and joint integrity. When specifying pipe per ASTM F2764\* on a gravity flow sanitary sewer project, you are specifying the most stringent performance requirements in the industry.

## Advanced Construction

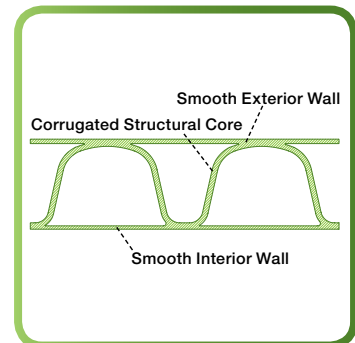
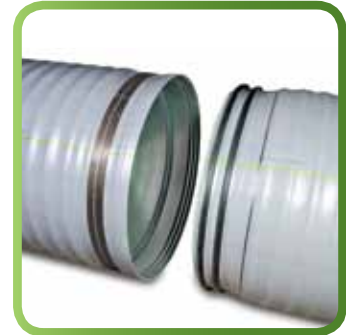
- Standard 12”-60” (300 mm-1500mm) diameters
- Varied lengths available 13’ (4.0 m), 16.3’ (4.9m) and 20’ (6.1m)
- Redundant double gasketed joints
- Inert material
- 1,000 hour 10.8 psi (74.5 kPa) joint test for 30”-60” (750 mm - 1500 mm) pipe per ASTM F2764
- Industry standards for manhole connections, testing and installation

## Superior Polypropylene Material

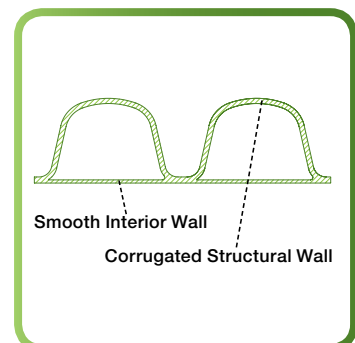
Made from an engineered impact modified co-polymer compound, the superior strength and material properties of polypropylene (PP) offer robust pipe stiffness, excellent handling characteristics, and long service life when compared to traditional sanitary sewer products. It is chemically resistant to hydrogen sulfide gas and sulfuric acid concentrations typical of sanitary sewers to provide superior durability and performance. The unique light grey resin color provides superior UV resistance as well as improving the pipe’s interior visibility during post-installation inspection.

\* ASTM F2736 has been incorporated into the latest version of ASTM F2764.

## Triple Wall Design



## Dual Wall Design





# INDUSTRY STANDARDS IN SANITARY SEWERS

## Superior Joint Performance

SaniTite HP pipe has a patented extended, reinforced bell with polymer composite bands and dual gaskets that add an additional factor of safety within each joint. The SaniTite HP joint performance exceeds the 10.8 psi (74.5 kPa) laboratory performance standards per ASTM D3212. SaniTite HP is tested to 15 psi (103.4 kPa) to provide additional redundancy and factor of safety for critical sanitary sewer installations. Third party certification of joint performance is available upon request.

In the field, each section of SaniTite HP may be tested by a low pressure air test, according to ASTM F1417. ASTM F1417 is a commonly used standard for diameters 12"-36" (300 mm-900 mm) and specifies that 3.5 psi (24.1 kPa) air pressure be held for a specified length of time based upon pipe diameter and length of run. For diameters greater than 30" (900 mm) SaniTite HP joint integrity may be validated by a joint isolation test.

Where an infiltration/exfiltration test is preferred, ASTM F2487 specifies a simplistic method of verifying proper joint performance.

## Standard Tap Connections

A standard tapping product, such as INSERTA TEE®, is compatible with SaniTite HP.

## Standard Repair Couplers

Testable repair couplers are available at ADS locations. PVC sleeve couplers are available for 12"-30" (300 mm-900 mm) dual wall pipe. Rubber repair couplers with stainless steel shear bands are available for 12"-60" (300 mm-1500 mm) diameters.

## Diameter Range

SaniTite HP meeting ASTM F2764\* is currently manufactured in 20' (6 m) or 13' (4 m) lengths for diameters 12"-48" (300-1200 mm), while the 60" (1500 mm) diameter is manufactured in 20' (6 m) and 16.3' (5 m) lengths. The 20' (6 m) lengths aid in speed of installation and reduce the total number of joints. However, the 13' (4 m) lengths are complimentary for deeper projects where trench box conditions require a shorter pipe.

\* ASTM F2736 has been incorporated into the latest version of ASTM F2764.



Joint Isolation Test



INSERTA TEE Tap



Repair Coupler



PVC Sleeve Coupler

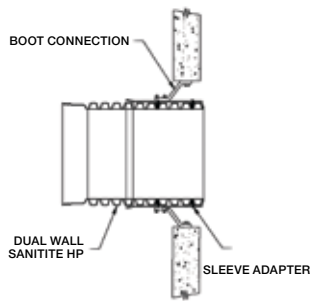
# INDUSTRY STANDARDS IN SANITARY SEWERS

## Standard Structure Connections

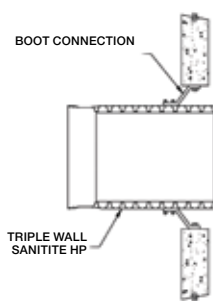
Sanitary sewer projects require superior watertight performance combined with a flexible connection solution that can withstand the rigor of installation. To meet varying regional requirements, ADS offers a wide selection of connectors to be used with independent standard resilient connectors meeting ASTM C923, such as A-Lok® and Press Seal®.

When connecting SaniTite HP pipe to a manhole, a smooth exterior surface on the pipe is required. ADS offers three ways to adapt dual wall pipe to these manhole connectors: a corrugated pipe adapter, a PVC Manhole Adapter or a polypropylene manhole sleeve adapter. For triple wall pipe, commonly used manhole connectors can connect directly to the pipe with no additional fittings or adapters.

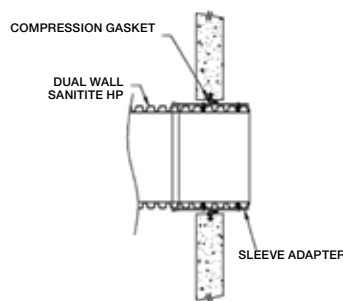
**Boot Connection to Dual Wall Pipe**



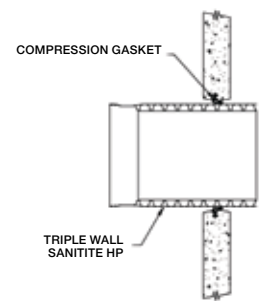
**Boot Connection to Triple Wall Pipe**



**Compression Gasket Connection to Dual Wall Pipe**



**Compression Gasket Connection to Triple Wall Pipe**



# ADS SANITITE® HP 12”–60” SANITARY PIPE SPECIFICATION

## SCOPE

This specification describes 12- through 60-inch (300 to 1500 mm) ADS SaniTite HP pipe for use in gravity-flow sanitary sewer applications.

## PIPE REQUIREMENTS

ADS 12” – 30” (300 to 750mm) SaniTite HP dual pipe shall have a smooth interior and annular exterior corrugations; 30”-60” SaniTite HP triplewall pipe shall have smooth interior and exterior surfaces with annular inner corrugations.

- 12- through 60-inch (300 to 1500 mm) pipe shall meet ASTM F2764\*
- 12- through 60-inch (300 to 1500 mm) pipe shall have a minimum pipe stiffness of 46 pii when tested in accordance with ASTM D2412
- Manning’s “n” value for use in design shall be 0.012.

## JOINT PERFORMANCE

Pipe shall be joined with a gasketed integral bell & spigot joint meeting the requirements of ASTM F2764\*.

12- through 60-inch (300 to 1500 mm) shall be watertight according to the requirements of ASTM D3212, with the addition of a 15 psi pressure requirement. Spigot shall have two gaskets meeting the requirements of ASTM F477. Gaskets shall be installed by the pipe manufacturer and covered with a removable, protective wrap to ensure the gaskets are free from debris. A joint lubricant available from the manufacturer shall be used on the gasket and bell during assembly.

12- through 60-inch (300 to 1500 mm) diameters shall have a reinforced bell with a polymer composite band installed by the manufacturer.

## FITTINGS

Fittings and connections shall provide a watertight connection according to the requirements of ASTM D3212. Gaskets, when present, shall meet ASTM F477.

## FIELD PIPE AND JOINT PERFORMANCE

To assure watertightness, field performance verification may be accomplished by testing in accordance with ASTM F1417 or ASTM F2487. Appropriate safety precautions must be used when field-testing any pipe material.

## MATERIAL PROPERTIES

Polypropylene compound for pipe and fitting production shall be an impact modified copolymer meeting the material requirements of ASTM F2764\*.

## INSTALLATION

Installation shall be in accordance with ASTM D2321 and ADS recommended installation guidelines, with the exception that minimum cover in traffic areas for 12- through 48-inch (300 to 1200 mm) diameters shall be one foot (0.3 m) and for 60-inch (1500mm) diameters the minimum cover shall be 2-ft (0.6m) in single run applications. Backfill for minimum cover situations shall consist of Class 1 or Class 2 (minimum 90% SPD) material. Maximum fill heights depend on embedment material and compaction level; please refer to Technical Note 2.05.

## PIPE DIMENSIONS

Nominal Diameter in. (mm)	12 (300)	15 (375)	18 (450)	21 (535)	24 (600)	30 (750)	36 (900)	42 (1050)	48 (1200)	60 (1500)
Average Pipe I.D. in. (mm)	12.1 (307)	14.9 (378)	18.0 (457)	21.1 (536)	24.1 (612)	30.1 (765)	35.7 (907)	41.8 (1062)	47.3 (1201)	59.3 (1506)
Average Pipe O.D. in. (mm)	14.5 (368)	17.6 (447)	21.2 (538)	24.8 (629)	28.0 (711)	35.4 (899)	41.1 (1044)	47.2 (1199)	53.8 (1367)	66.5 (1689)

\* ASTM F2736 has been incorporated into the latest version of ASTM F2764.



ADS "Terms and Conditions of Sale" are available on the ADS website, [www.ads-pipe.com](http://www.ads-pipe.com)  
The ADS logo, the Green Stripe and SaniTite® HP are registered trademarks of Advanced Drainage Systems, Inc.  
INSERTA TEE® is a registered trademark of Inserta Fittings, Co. A-Lok® is a registered trademark of A-Lok Products,  
Inc. Press Seal® Gasket Corporation is a registered trademark of Press Seal Gasket Corporation. Mar Mac® is a  
registered trademark of Mar Mac Construction Products, Inc. Nyloplast® is a registered trademark of Nyloplast.  
© 2016 Advanced Drainage Systems, Inc. #10902 10/16 MH



Advanced Drainage Systems, Inc.  
4640 Trueman Blvd. Hilliard, OH 43026

1-800-821-6710

[www.ads-pipe.com](http://www.ads-pipe.com)

THE MOST **ADVANCED** NAME IN WATER MANAGEMENT SOLUTIONS™

