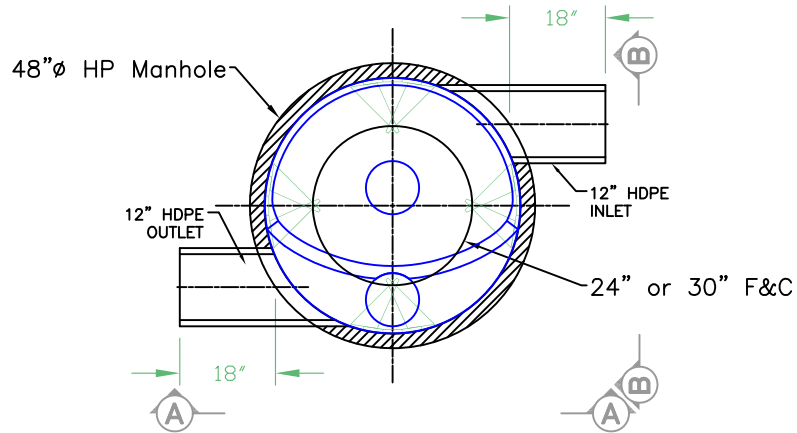
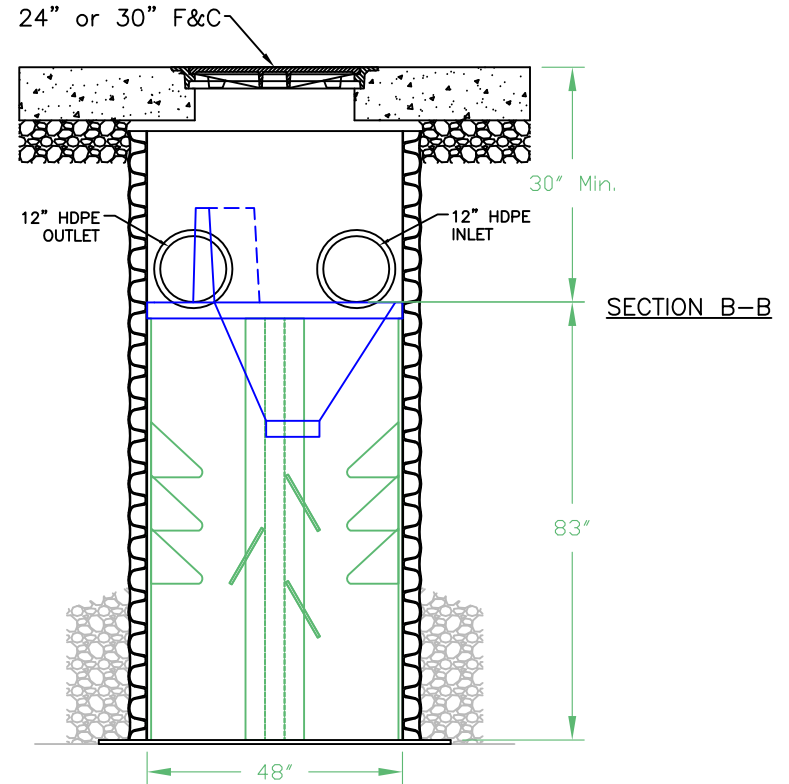
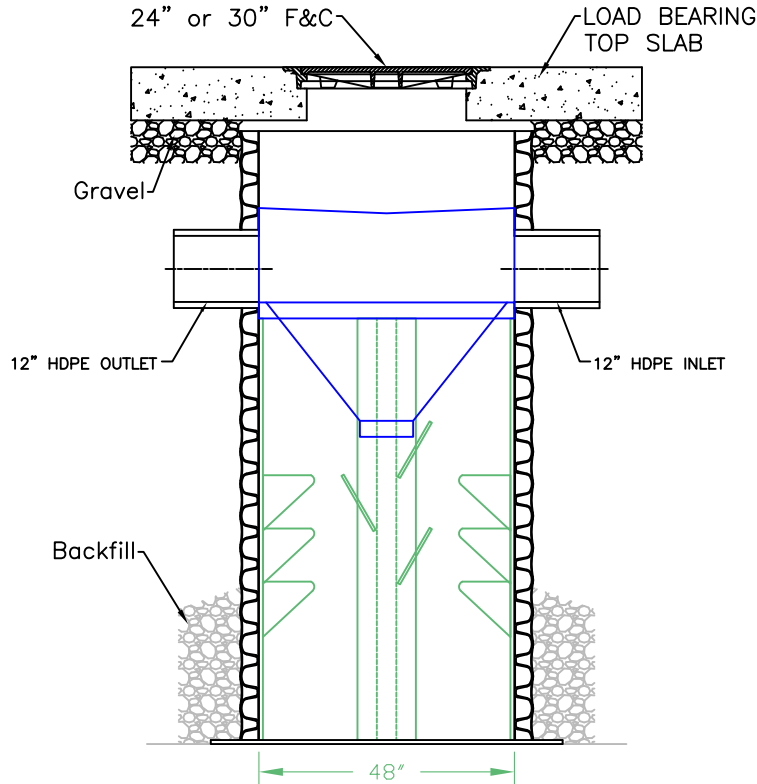


PLAN VIEW



		Invert
Inlet Pipe	12" HDPE	xxx
Outlet Pipe	12" HDPE	xxx
Rim Elev.		xxx

SECTION A-A



1030 Deer Hollow Drive  
Mount Airy, MD 21771

1-800-BAYSAVER  
1-800-229-7283



4640 TRUEMAN BLVD  
HILLIARD, OH 43026

1-800-733-7473



TREATMENT FLOW	1.25 CFS
PEAK FLOW	
MODEL NUMBER	S4
DATE	7/20/17
DRAWN	EKH
CHECKED	PR
SCALE	N.T.S.

BARRACUDA S4  
SYSTEM DETAIL