

## ADS RADON DUAL PURPOSE VENTED SUMP SPECIFICATION

### Scope

This specification describes the ADS Radon Dual Purpose Vented Sump System for use in residential drainage and ventilation of toxic or noxious gas applications.

### Requirements

The Radon Dual Purpose Vented Sump shall be available in 14-gallon (53 liter) capacity. The sump well shall have three pre-formed inlet collars sized to fit 4-inch (100 mm) corrugated polyethylene drainage lines. Each well shall have a molded side panel designed to accept the outside basement perimeter line at any elevation along the well wall. The lid shall be pre-drilled to accept 1¼-inch (32mm), 1½-inch (38mm), 2 inch (50mm), or 3-inch (75mm) vent and discharge pipes. Rubber o-rings for these pipes, as well as rubber pump wire plug shall be included with the lid kit.

### Material Properties

Radon Dual Purpose Vented Sump shall be high density polyethylene.

### Installation

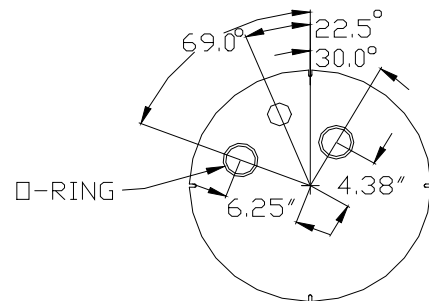
Installation shall be in accordance with ADS installation instructions and those issued by regional, state, or local agencies.

	A	B	C	D	E	F	G	H
14-gallon	12"	8"	14.25"	4.75"	20.38"	18.13"	24"	20.06"
53 liter	305mm	203mm	362mm	121mm	518mm	460mm	610mm	510mm

### Items Included With Lid Kit

#### Qty.

- 1 Gasket for 4" Sch 40 or SDR 35 PVC inlet line
- 1 Gasket for 2" and 3" Sch 40 PVC vent pipe
- 1 Gaskets for 2", 1 ½", and 1 ¼" Sch 40 PVC pump discharge pipes
- 1 Electrical Cord Stopper
- 1 1" Adhesive Foam Tape



### Items Needed For Lid Kit (Sold Separately)

#### Qty.

- 4 Hex Head Lag Screws ¼" x 1 ½" (minimum)
- 4 Flat Washers ¼"
- 4 Concrete Floor Anchors

