

## ADS CHANNEL-MUCK PIPE SPECIFICATIONS

### Scope

This specification describes ADS Channel-Muck pipe in 4- through 6-inch (100 to 150mm) diameters for use in agricultural drainage applications.

### Pipe Requirements

ADS Channel-Muck pipe shall have a corrugated interior and corrugated exterior.

- 4- through 6-inch (100 to 150mm) pipe shall meet the requirements of ASTM F667 and SCS 606.
- There shall be three perforations every 4.2-inch (107 mm) on the length of the pipe.

### Joint Performance

Pipe shall be joined with self-coupling stubs located at the ends of each pipe section.

### Fittings

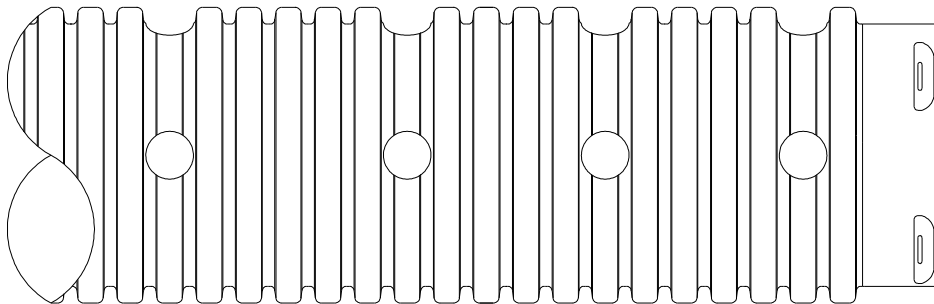
Fittings shall conform to ASTM F667.

### Material Properties

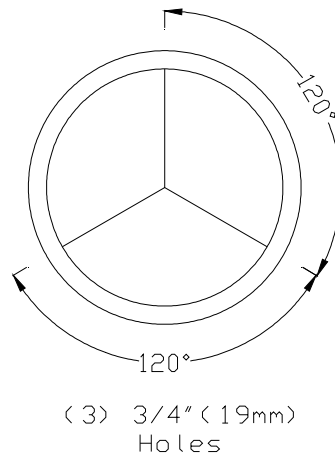
Pipe material shall be high density polyethylene conforming with the minimum requirements of cell classification 424410C as defined and described in the latest version of ASTM D3350; or ASTM D1248 Type III, Class C, Category 4, Grade P33.

### Installation

Installation shall be in accordance with ADS recommended installation instructions and those issued by regional, state or local agencies.



### Perforation Options\*



\* Check with sales representative for perforation option availability by region.