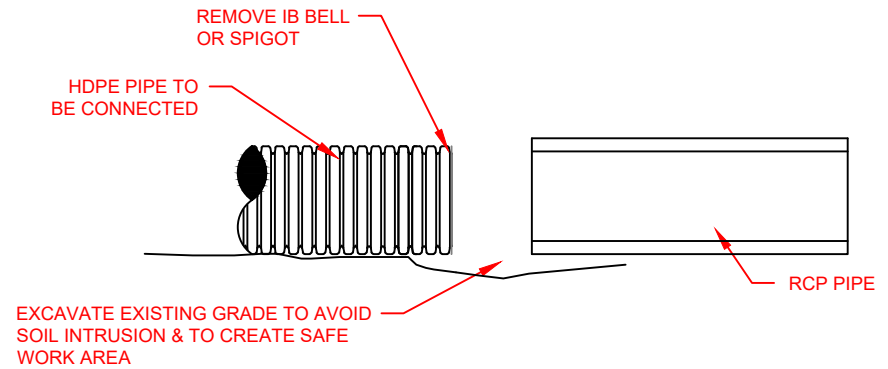
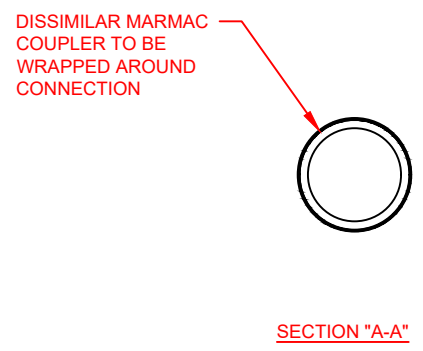
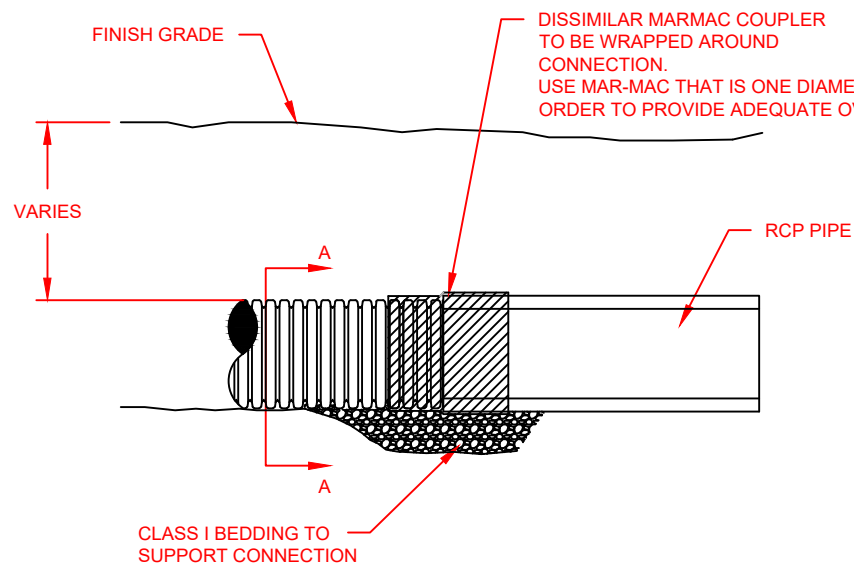


NOTES:

1. CONNECTION AND PIPE TO BE BACKFILLED PER ASTM D2321, LATEST EDITION.
2. AN INTERNAL COUPLER SPIGOT ADAPTER MAY BE USED AND INSERTED INTO THE ID OF THE EXISTING PIPE TO MINIMIZE JOINT MOVEMENT. HOWEVER, AN INTERNAL COUPLER SPIGOT ADAPTER IS NOT RECOMMENDED FOR DOWNSTREAM CONNECTIONS.



NOTE: CARE SHOULD BE TAKEN DURING INSTALLATION TO ALIGN JOINTS BETWEEN PIPES.



© 2016 ADS, INC.

ADVANCED DRAINAGE SYSTEMS, INC. ("ADS") HAS PREPARED THIS DETAIL BASED ON INFORMATION PROVIDED TO ADS. THIS DRAWING IS INTENDED TO DEPICT THE COMPONENTS AS REQUESTED. ADS HAS NOT PERFORMED ANY ENGINEERING OR DESIGN SERVICES FOR THIS PROJECT, NOR HAS ADS INDEPENDENTLY VERIFIED THE INFORMATION SUPPLIED. THE INSTALLATION DETAILS PROVIDED HEREIN ARE GENERAL RECOMMENDATIONS AND ARE NOT SPECIFIC FOR THIS PROJECT. THE DESIGN ENGINEER SHALL REVIEW THESE DETAILS PRIOR TO CONSTRUCTION. IT IS THE DESIGN ENGINEERS RESPONSIBILITY TO ENSURE THE DETAILS PROVIDED HEREIN MEETS OR EXCEEDS THE APPLICABLE NATIONAL, STATE, OR LOCAL REQUIREMENTS AND TO ENSURE THAT THE DETAILS PROVIDED HEREIN ARE ACCEPTABLE FOR THIS PROJECT.

REV.	DESCRIPTION	BY	MM/DD/YY	CHK'D

HDPE PLAIN END TO RCP PLAIN END CONNECTION (MARMAC)

DRAWING NUMBER: STD-609



ADVANCED DRAINAGE SYSTEMS, INC.

4640 TRUEMAN BLVD
HILLIARD, OHIO 43026

DESIGN BY:	AGC
DATE:	11/28/18
DESIGN BY:	KAK
SCALE:	NTS
SHEET:	1 OF 1