

30-36" DURASLOT® WITH 6" SLOT RISER

SUBMISSION PACKAGE

PREPARED FOR

Name:

Title:

Agency:

Email:

PREPARED BY

Name:

Title:

Phone:

E-mail:



PACKAGE CONTENTS

1. PRODUCT OVERVIEW

a. ADS STANDARD SPECIFICATION

2. DURASLOT[®] STANDARD DRAWINGS

a. SLOT DIMENSIONS

b. PIPE CONFIGURATION

c. COUPLER BAND FITTING

d. ADAPTER FITTING

e. GRATED ASSEMBLY

f. OPEN TOP ASSEMBLY



ADS DURASLOT® PIPE SPECIFICATION

Scope

This specification describes 4- through 36-inch (100 to 900 mm) ADS DURASLOT pipe for use in surface drain applications.

Pipe Requirements

DURASLOT pipe, as manufactured and distributed by ADS, Inc., shall have a smooth interior and annular exterior corrugations with an aluminum slot grate frame mounted longitudinally along the length of the pipe to accept the grate while maintaining the original pipe diameter.

- 4- through 10-inch (100 to 250mm) pipe shall meet AASHTO M252, Type S.
- 12- through 36-inch (300 to 900 mm) pipe shall meet AASHTO M294, Type S or ASTM F2306.
- Manning's "n" value for use in design shall be 0.012.

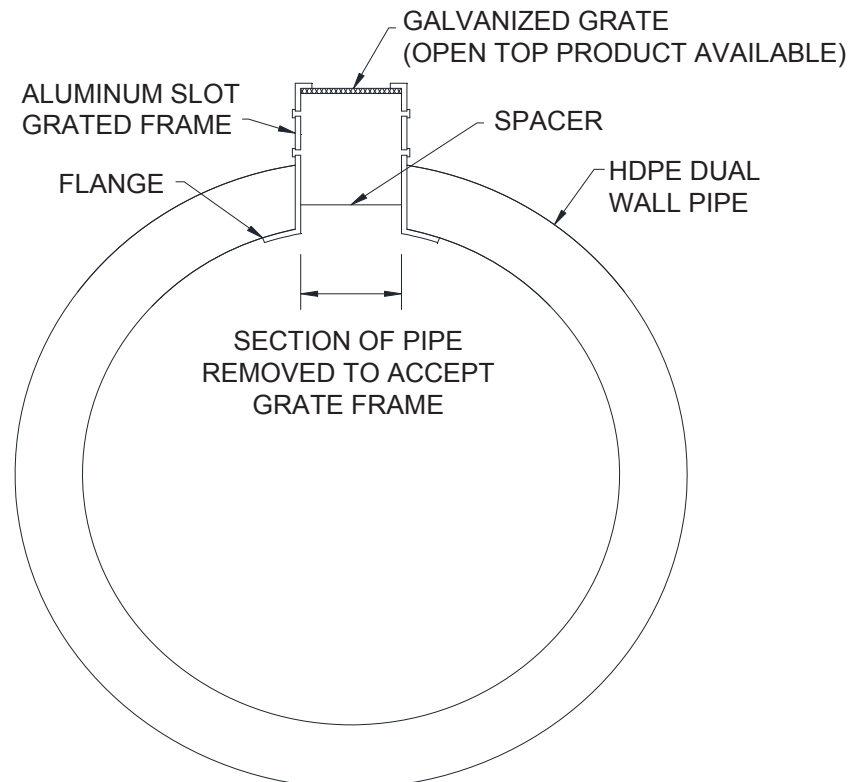
The aluminum slot grate frame shall be manufactured from 0.063" tempered commercial aluminum meeting the requirements of ASTM B209, consisting of two parallel plates separated by spacers spanning the slot on 6" centers. The grate shall be ½" - #13 galvanized steel. The grate shall have a diamond-shaped opening and be ADA compliant. The flange at the bottom of the aluminum slot grate frame shall be riveted to the pipe with a minimum of two rivets per linear foot.

Fittings

DURASLOT fittings shall be modified from fittings which conform to AASHTO M252, AASHTO M294, or ASTM F2306.

Installation

Installation shall be in accordance with ADS recommended installation instructions. Contact your local ADS representative or visit www.ads-pipe.com for a copy of the latest installation guidelines.

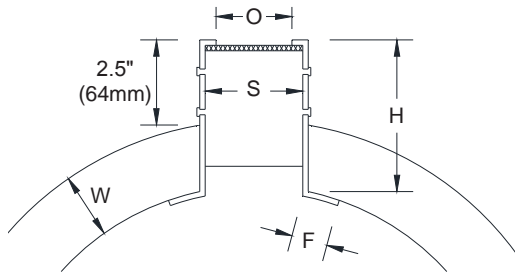
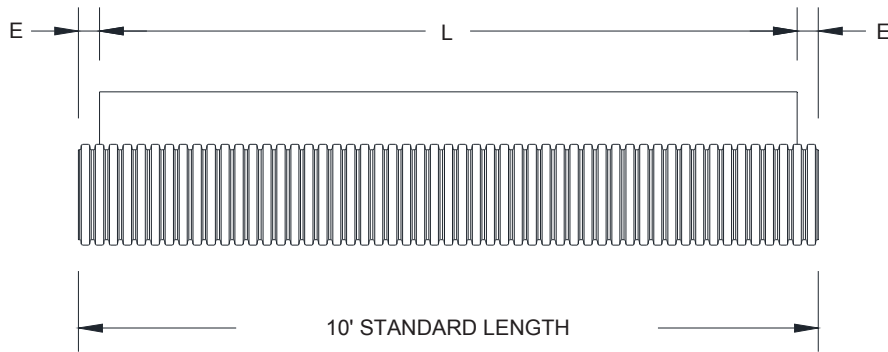


ADS DURASLOT® STANDARD DIMENSIONS

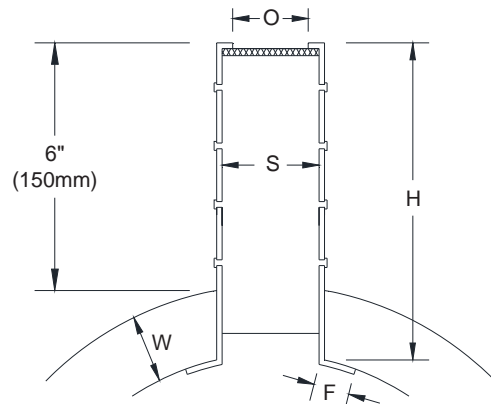
	Nominal Pipe Diameter, in (mm)									
	4"(100)	6"(150)	8"(200)	10"(250)	12"(300)	15"(375)	18"(450)	24"(600)	30"(750)	36"(900)
L (Drain Grate Length)	118" (3000)					116" (2950)				
E (Pipe End Length)	1" (25)					2" (50)				
H (2.5" slot)	2.75" (70)	3" (75)	3" (75)	3" (75)	3.5" (90)	3.75" (95)	4" (100)	4.75" (120)	5" (125)	5.25" (130)
H (6.0" slot)	6.25" (160)	6.5" (165)	6.5" (165)	6.5" (165)	7" (175)	7" (175)	7" (175)	7.25" (185)	8.25" (210)	8.25" (210)
W (Pipe Width w/ Corrugation)	0.34" (9)	0.46" (12)	0.61" (15)	0.73" (18)	1.15" (30)	1.30" (33)	1.57" (40)	1.86" (47)	2.55" (65)	2.85" (72)
F (Flange Length)	0.5" (13)	0.75" (19)	0.75" (19)	0.75" (19)	0.75" (19)	0.75" (19)	0.75" (19)	1.0" (25)	1.0" (25)	1.0" (25)
O (Opening Width)	1.25" (32)	1.75" (45)	1.75" (45)	1.75" (45)	1.75" (45)	1.75" (45)	1.75" (45)	1.75" (45)	1.75" (45)	1.75" (45)
S (Slot Width)	1.75" (45)	2.25" (57)	2.25" (57)	2.25" (57)	2.25" (57)	2.25" (57)	2.25" (57)	2.25" (57)	2.25" (57)	2.25" (57)

Note:

1. Variable and custom slot heights upon request. Production of variable and custom slots will require approval by engineering services and fabrication. Signed shop drawings also required from interested party.
2. Other grate material options upon request. Contact local ADS representative for availability of grate material option.

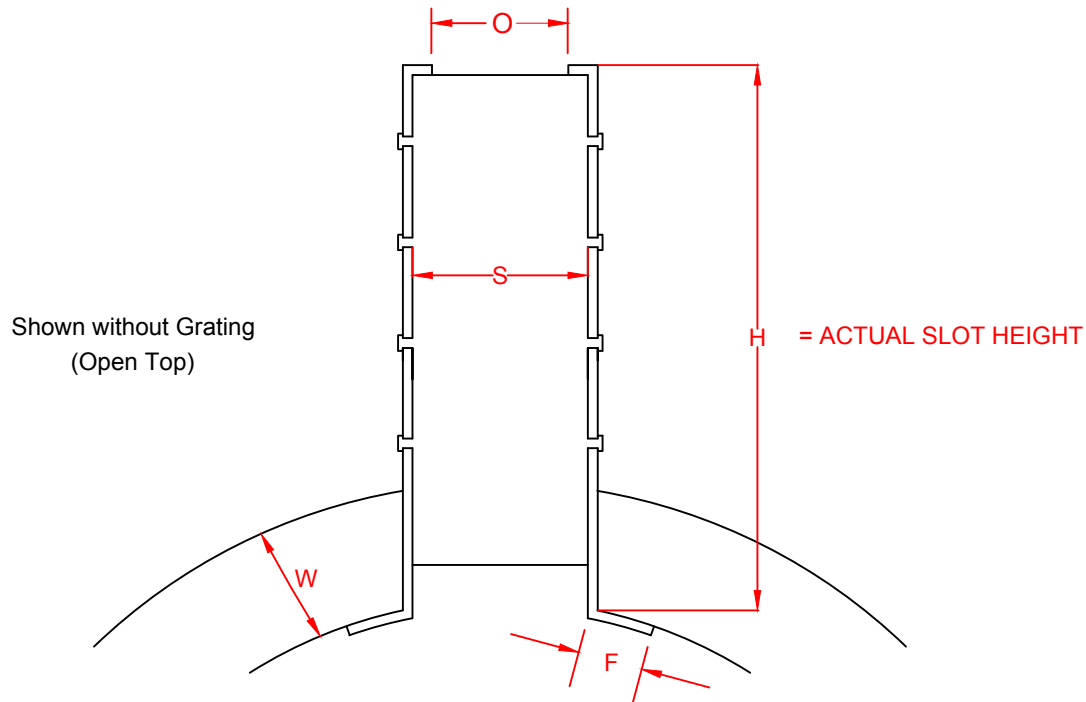


4 – 12"
(100 – 300mm)



4 – 36"
(100 – 900mm)

30"-36" DURASLOT[®] Pipe Dimensions For 6" Slot Riser



PIPE DIAM.	PRODUCT DESCRIPTION	H	W	F	O	S	PRODUCT # (Grated)	PRODUCT # (Open Top)
30" (750mm)	6" Slot Riser (150mm)	8.25" (210mm)	2.55" (65mm)	1" (25mm)	1.75" (45mm)	2.25" (57mm)	3060DS	3060DSOT
36" (900mm)	6" Slot Riser (150mm)	8.25" (210mm)	2.85" (72mm)	1" (25mm)	1.75" (45mm)	2.25" (57mm)	3660DS	3660DSOT

Dimension from grade to pipe invert:

$$H \text{ (ACTUAL SLOT HEIGHT)} + \text{PIPE DIAMETER} + \text{RECESS } (\frac{1}{8}"-\frac{1}{4}")$$

© 2018 ADS, INC.

ADVANCED DRAINAGE SYSTEMS, INC. ("ADS") HAS PREPARED THIS DETAIL BASED ON INFORMATION PROVIDED TO ADS. THIS DRAWING IS INTENDED TO DEPICT THE COMPONENTS AS REQUESTED. ADS HAS NOT PERFORMED ANY ENGINEERING OR DESIGN SERVICES FOR THIS PROJECT. NOR HAS ADS INDEPENDENTLY VERIFIED THE INFORMATION SUPPLIED. THE INSTALLATION DETAILS PROVIDED HEREIN ARE GENERAL RECOMMENDATIONS AND ARE NOT SPECIFIC FOR THIS PROJECT. THE DESIGN ENGINEER SHALL REVIEW THESE DETAILS PRIOR TO CONSTRUCTION. IT IS THE DESIGN ENGINEERS RESPONSIBILITY TO ENSURE THE DETAILS PROVIDED HEREIN MEETS OR EXCEEDS THE APPLICABLE NATIONAL, STATE, OR LOCAL REQUIREMENTS AND TO ENSURE THAT THE DETAILS PROVIDED HEREIN ARE ACCEPTABLE FOR THIS PROJECT.

REV.	DESCRIPTION	BY	MM/DD/YY	CHK'D

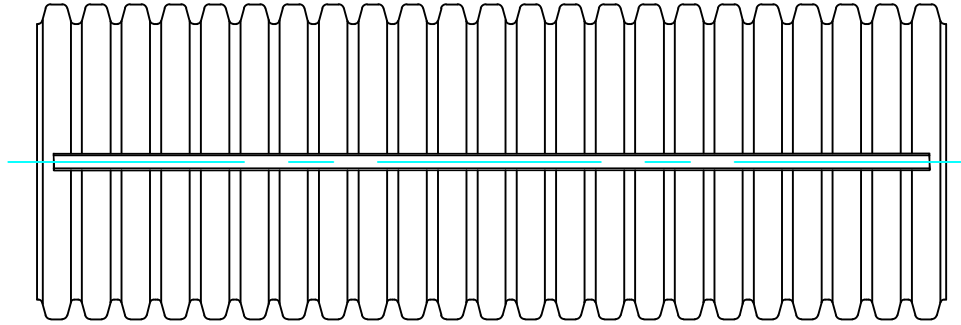
DRAWING NUMBER:



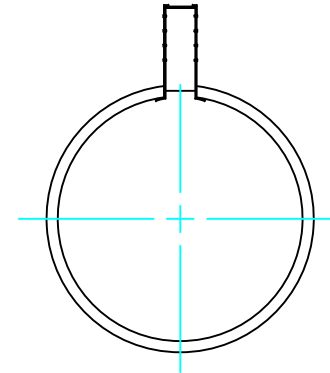
4640 TRUEMAN BLVD
HILLIARD, OHIO 43026

DRAWN BY:	
DATE:	
CHK'D BY:	
SCALE:	NTS
SHEET:	1 OF 1

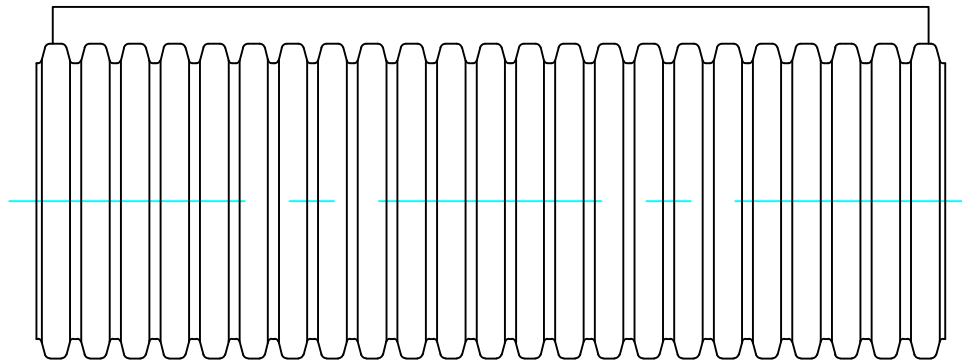
30"-36" DURASLOT[®] Pipe With 6" Slot Riser



PLAN VIEW



CROSS SECTION



ELEVATION

PIPE DIAM.	PRODUCT # (GRATED)	PRODUCT # (OPEN TOP)
30" (750mm)	3060DS	3060DSOT
36" (900mm)	3660DS	3660DSOT

© 2018 ADS, INC.

ADVANCED DRAINAGE SYSTEMS, INC. ("ADS") HAS PREPARED THIS DETAIL BASED ON INFORMATION PROVIDED TO ADS. THIS DRAWING IS INTENDED TO DEPICT THE COMPONENTS AS REQUESTED. ADS HAS NOT PERFORMED ANY ENGINEERING OR DESIGN SERVICES FOR THIS PROJECT, NOR HAS ADS INDEPENDENTLY VERIFIED THE INFORMATION SUPPLIED. THE INSTALLATION DETAILS PROVIDED HEREIN ARE GENERAL RECOMMENDATIONS AND ARE NOT SPECIFIC FOR THIS PROJECT. THE DESIGN ENGINEER SHALL REVIEW THESE DETAILS PRIOR TO CONSTRUCTION. IT IS THE DESIGN ENGINEERS RESPONSIBILITY TO ENSURE THE DETAILS PROVIDED HEREIN MEETS OR EXCEEDS THE APPLICABLE NATIONAL, STATE, OR LOCAL REQUIREMENTS AND TO ENSURE THAT THE DETAILS PROVIDED HEREIN ARE ACCEPTABLE FOR THIS PROJECT.

REV.	DESCRIPTION	BY	MM/DD/YY	CHK'D

DRAWING NUMBER:

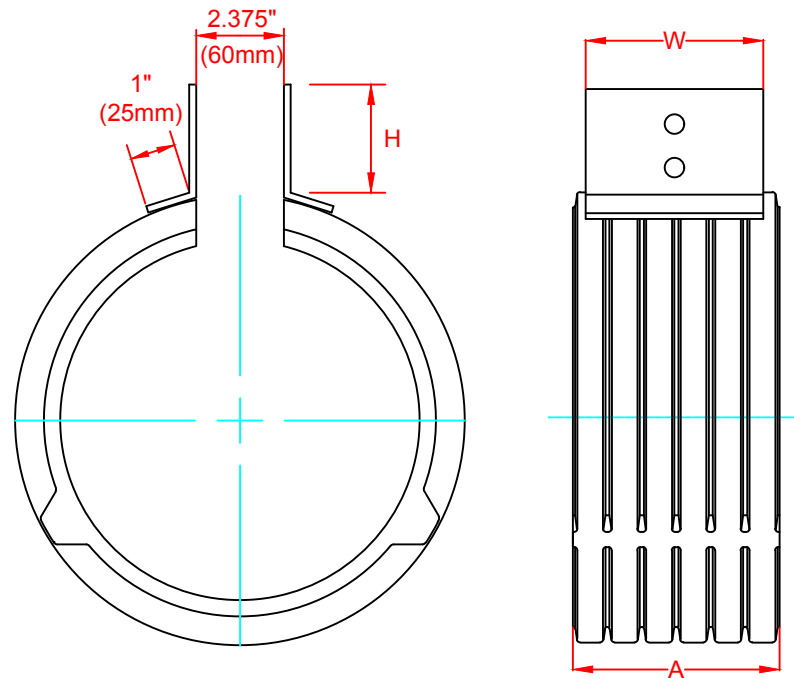


4640 TRUEMAN BLVD
HILLIARD, OHIO 43026

ADVANCED DRAINAGE SYSTEMS, INC.

DESIGNED BY	
DATE	
DRAWN BY	
SCALE	NTS
SHEET	1 OF 1

30"-36" DURASLOT® Coupler Bands With 6" Slot Riser



END VIEW

SIDE VIEW

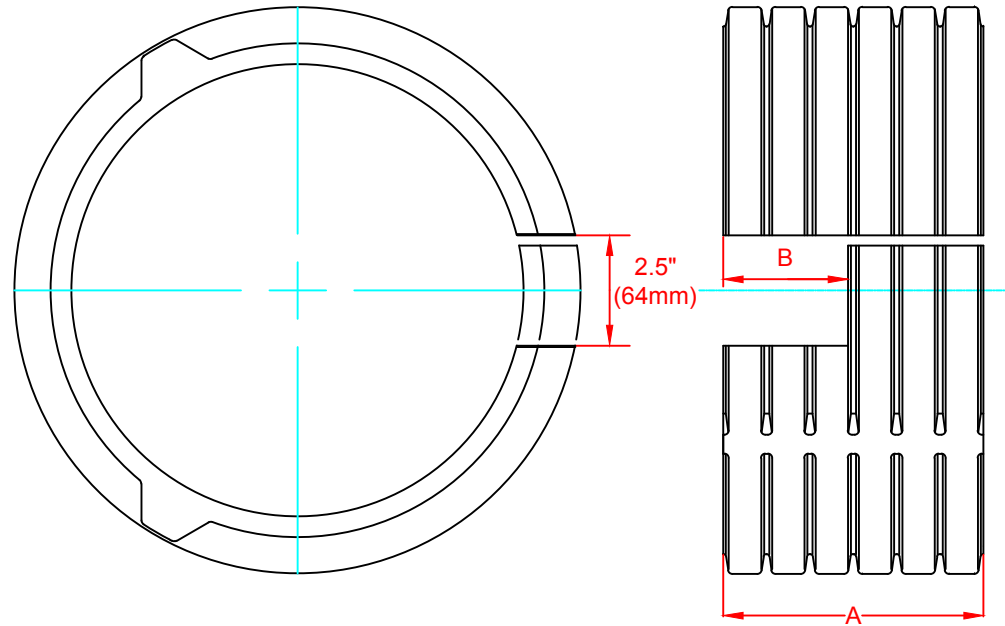
PIPE DIAM.	H	W	A	PRODUCT #
30" (750mm)	5" (127mm)	10" (254mm)	16.5" (419mm)	3026DS
36" (900mm)	5" (127mm)	10" (254mm)	20.8" (528mm)	3626DS

NOTE: ALL DIMENSIONS ARE FOR REFERENCE ONLY



DRAWING #:		
DRAWN BY:		
APPROVED BY:		
REVISIONS:		
SCALE:	NTS	

30"-36" DURASLOT[®] Adapter With 6" Slot Riser



END VIEW

SIDE VIEW

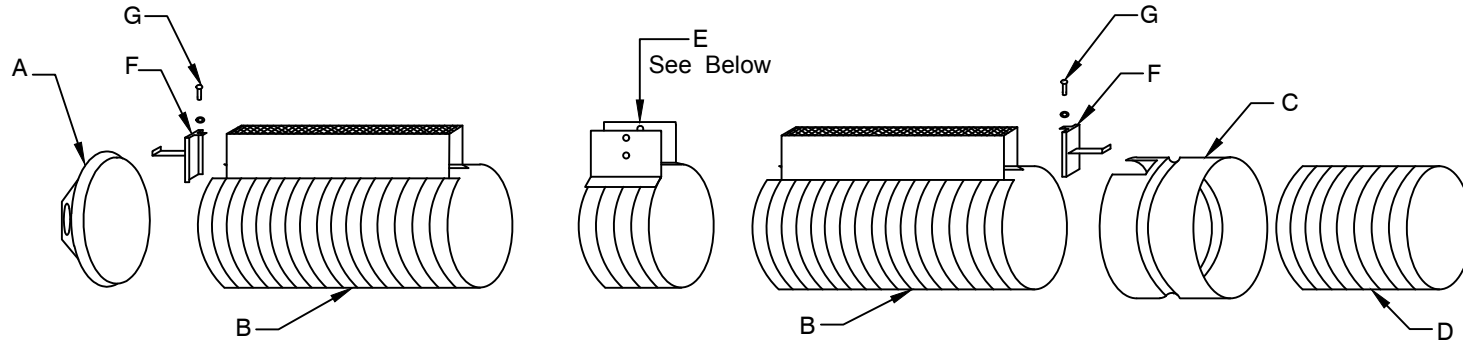
PIPE DIAM.	A	B	PRODUCT #
30" (750mm)	16.5" (419mm)	8" (203mm)	3062 DS
36" (900mm)	20.8" (528mm)	10" (254mm)	3662 DS

NOTE: ALL FITTINGS DIMENSIONS ARE FOR REFERENCE ONLY



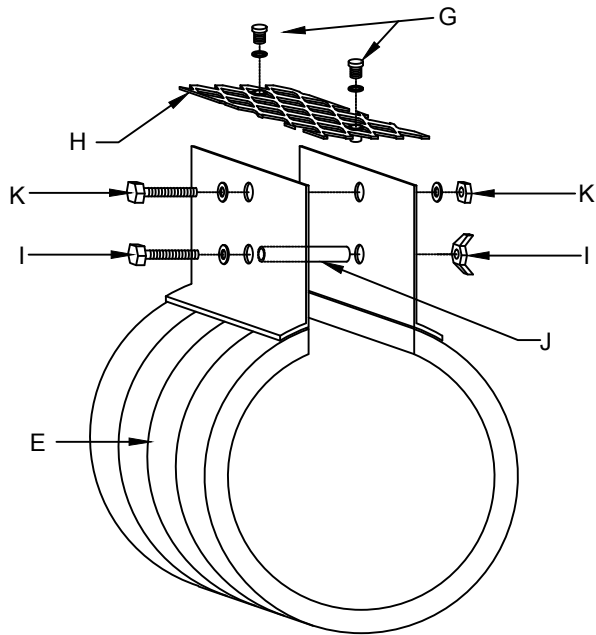
DRAWING #:		
DRAWN BY:		
APPROVED BY:		
REVISIONS:		
SCALE:	NTS	

30"-36" DURASLOT® System Assembly With 6" Slot Riser - Grated



- A. Taylor Plug or Similar
- B. DURASLOT Pipe
- C. DURASLOT Adapter
- D. N-12 Pipe
- E. DURASLOT Coupler Band
- F. DURASLOT Grate Anchor

- G. $\frac{1}{4}$ " SPHS x 1" Long w/ Washer
- H. DURASLOT Grate Connector
- I. $\frac{5}{16}$ " Hex Head Screw x $3\frac{1}{2}$ " Long w/ Washer & $\frac{5}{16}$ " Wingnut
- J. Plastic Sleeve Spacer (Goes on I.)
- K. Hex Head Assembly:
 $\frac{5}{16}$ " Hex Head Screw x $3\frac{1}{2}$ " Long w/
 (2) Washers & $\frac{5}{16}$ " Hex Nut



NOTE: Each Cap (A) & Adapter (C) comes with an Anchor (F).
 Each Coupler Band (E) comes with Hardware - G,H,I & J

© 2018 ADS, INC.

ADVANCED DRAINAGE SYSTEMS, INC. ("ADS") HAS PREPARED THIS DETAIL BASED ON INFORMATION PROVIDED TO ADS. THIS DRAWING IS INTENDED TO DEPICT THE COMPONENTS AS REQUESTED. ADS HAS NOT PERFORMED ANY ENGINEERING OR DESIGN SERVICES FOR THIS PROJECT, NOR HAS ADS INDEPENDENTLY VERIFIED THE INFORMATION SUPPLIED. THE INSTALLATION DETAILS PROVIDED HEREIN ARE GENERAL RECOMMENDATIONS AND ARE NOT SPECIFIC FOR THIS PROJECT. THE DESIGN ENGINEER SHALL REVIEW THESE DETAILS PRIOR TO CONSTRUCTION. IT IS THE DESIGN ENGINEERS RESPONSIBILITY TO ENSURE THE DETAILS PROVIDED HEREIN MEETS OR EXCEEDS THE APPLICABLE NATIONAL, STATE, OR LOCAL REQUIREMENTS AND TO ENSURE THAT THE DETAILS PROVIDED HEREIN ARE ACCEPTABLE FOR THIS PROJECT.

REV.	DESCRIPTION	BY	MM/DD/YY	CHK'D

DRAWING NUMBER:

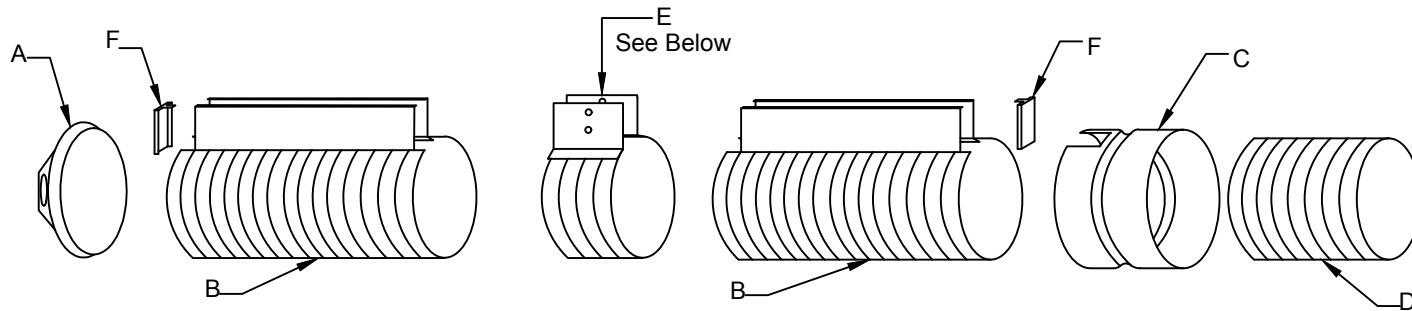


4640 TRUEMAN BLVD
 HILLIARD, OHIO 43026

ADVANCED DRAINAGE SYSTEMS, INC.

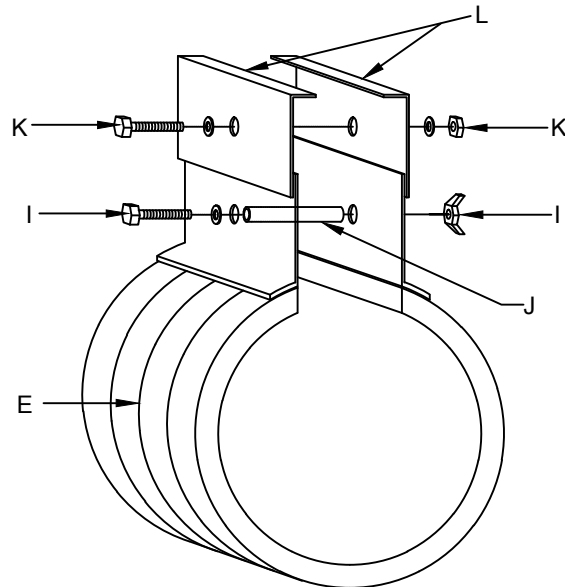
DRAWN BY:	
DATE:	
CHK'D BY:	
SCALE:	NTS
SHEET:	1 OF 1

30"-36" DURASLOT® System Assembly With 6" Slot Riser - Open Top



- A. Taylor Plug or Similar
- B. DURASLOT Pipe
- C. DURASLOT Adapter
- D. N-12 Pipe
- E. DURASLOT Coupler Band
- F. DURASLOT Slot Cap

- I. Hex Head Assembly:
 $\frac{5}{16}$ " Hex Head Screw x $3\frac{1}{2}$ " Long w/ Washer & $\frac{5}{16}$ " Wingnut
- J. Plastic Sleeve Spacer (Goes on I. - Not Used with 4" DIAM.)
- K. Hex Head Assembly:
 $\frac{5}{16}$ " Hex Head Screw x $3\frac{1}{2}$ " Long w/ (2) Washers & $\frac{5}{16}$ " Hex Nut
- L. DURASLOT Band Flanges



NOTE: Each Cap (A) & Adapter (C) comes with a Cap (F)
 Each Coupler Band (E) comes with Hardware - I, J, K, & L

© 2018 ADS, INC.

ADVANCED DRAINAGE SYSTEMS, INC. ("ADS") HAS PREPARED THIS DETAIL BASED ON INFORMATION PROVIDED TO ADS. THIS DRAWING IS INTENDED TO DEPICT THE COMPONENTS AS REQUESTED. ADS HAS NOT PERFORMED ANY ENGINEERING OR DESIGN SERVICES FOR THIS PROJECT, NOR HAS ADS INDEPENDENTLY VERIFIED THE INFORMATION SUPPLIED. THE INSTALLATION DETAILS PROVIDED HEREIN ARE GENERAL RECOMMENDATIONS AND ARE NOT SPECIFIC FOR THIS PROJECT. THE DESIGN ENGINEER SHALL REVIEW THESE DETAILS PRIOR TO CONSTRUCTION. IT IS THE DESIGN ENGINEERS RESPONSIBILITY TO ENSURE THE DETAILS PROVIDED HEREIN MEETS OR EXCEEDS THE APPLICABLE NATIONAL, STATE, OR LOCAL REQUIREMENTS AND TO ENSURE THAT THE DETAILS PROVIDED HEREIN ARE ACCEPTABLE FOR THIS PROJECT.

REV.	DESCRIPTION	BY	MM/DD/YY	CHK'D

DRAWING NUMBER:



4640 TRUEMAN BLVD
 HILLIARD, OHIO 43026

ADVANCED DRAINAGE SYSTEMS, INC.

DRAWN BY:	
DATE:	
CHK'D BY:	
SCALE:	NTS
SHEET:	1 OF 1