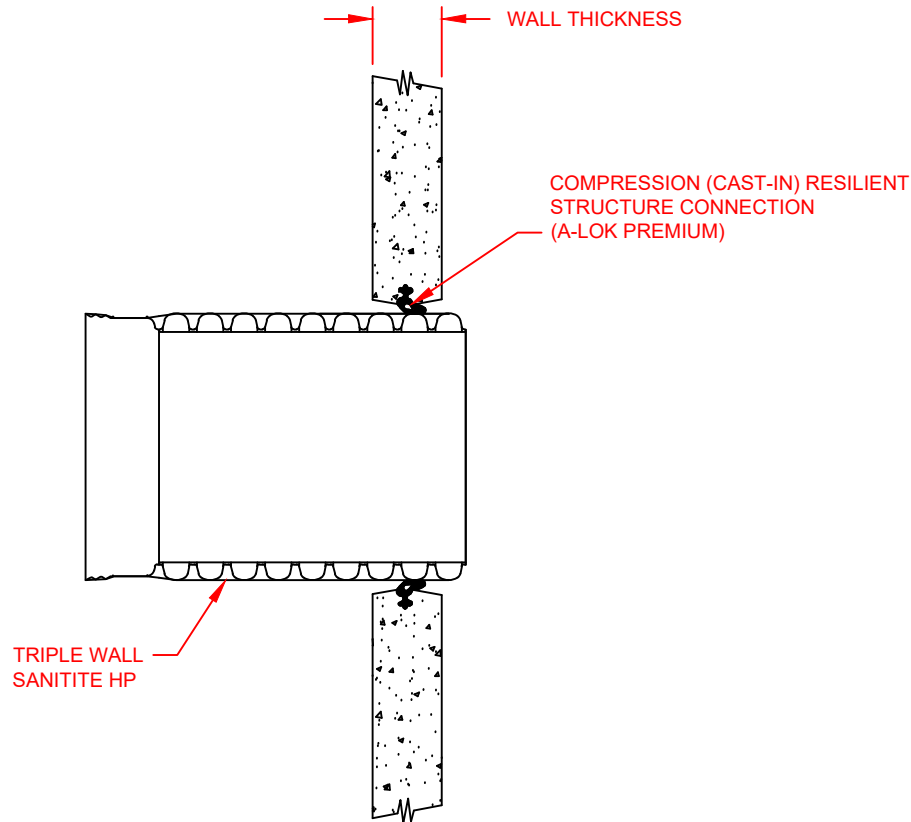


COMPRESSION (CAST-IN) RESILIENT STRUCTURE CONNECTION

30"-60" TRIPLE WALL SANITITE® HP



PIPE SIZE	A-LOK® PREMIUM CONNECTOR **	*** MIN. MH DIAMETER
30" (750mm)	1130	60
36" (900mm)	1330	60*
42" (1050mm)	1510	72
48" (1200mm)	1707	72
60" (1500mm)	2080	96

*In order for 36" SanTite HP to work in a 60" manhole, the wall thickness will need to be 6"
 **THIRD PARTY - CODES AS SUPPLIED BY MANUFACTURER
 A-LOK is a registered trademark of A-LOK Products, inc. (www.a-lok.com)
 ***Applicable for 140-220 degree angles. For any other angle contact an ADS representative
 A-lok Premium product codes are applicable to either round or flatwall structures

NOTES:

PERFORMANCE HIGHLY DEPENDENT ON INSTALLATION. CONTRACTOR MUST ENSURE MANHOLE CONNECTOR IS UNIFORMLY SEATED AROUND PIPE. EXTRA PRECAUTIONS MUST BE TAKEN TO PREVENT DIFFERENTIAL SETTLEMENT BETWEEN THE PIPE AND MANHOLE.

SEE STANDARD DETAIL STD-201 AND TECHNICAL NOTE: 5.04 CONNECTIONS TO MANHOLES AND STRUCTURES FOR INSTALLATION RECOMMENDATIONS.

10	UPDATED DETAIL	AMT	06-21-19	
REV.	DESCRIPTION	BY	MM/DD/YY	CHK'D

© 2019 ADS, INC.

ADVANCED DRAINAGE SYSTEMS, INC. ("ADS") HAS PREPARED THIS DETAIL BASED ON INFORMATION PROVIDED TO ADS. THIS DRAWING IS INTENDED TO DEPICT THE COMPONENTS AS REQUESTED. ADS HAS NOT PERFORMED ANY ENGINEERING OR DESIGN SERVICES FOR THIS PROJECT, NOR HAS ADS INDEPENDENTLY VERIFIED THE INFORMATION SUPPLIED. THE INSTALLATION DETAILS PROVIDED HEREIN ARE GENERAL RECOMMENDATIONS AND ARE NOT SPECIFIC FOR THIS PROJECT. THE DESIGN ENGINEER SHALL REVIEW THESE DETAILS PRIOR TO CONSTRUCTION. IT IS THE DESIGN ENGINEERS RESPONSIBILITY TO ENSURE THE DETAILS PROVIDED HEREIN MEETS OR EXCEEDS THE APPLICABLE NATIONAL, STATE, OR LOCAL REQUIREMENTS AND TO ENSURE THAT THE DETAILS PROVIDED HEREIN ARE ACCEPTABLE FOR THIS PROJECT.

**30"-60" SANITITE HP COMPRESSION
(CAST-IN) STRUCTURE CONNECTION**

DRAWING NUMBER: STD-205B



4640 TRUEMAN BLVD
 HILLIARD, OHIO 43026

DRAWN BY:	JAB
DATE:	4/3/09
CHECK BY:	
SCALE:	NTS
SHEET:	1 OF 1