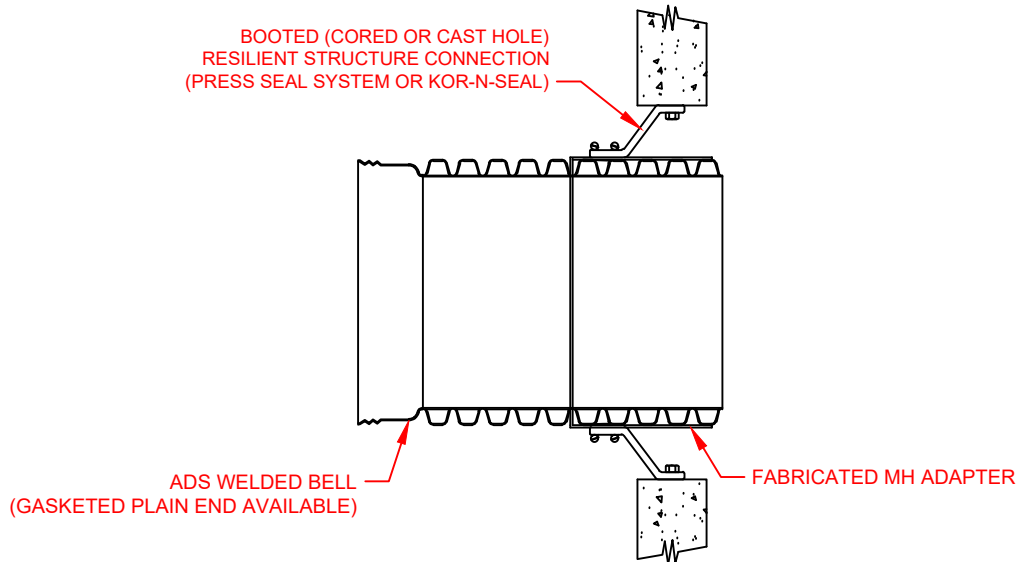


BOOTED (CORED OR CAST HOLE) RESILIENT STRUCTURE CONNECTION

12"-42" HDPE N-12

W/ FABRICATED MH ADAPTER



PIPE SIZE	ADS PRODUCT CODES		MANHOLE BOOT CODES		
	BELL END	PLAIN END	PRESS SEAL® SYSTEMS *	TRELLEBORG KOR-N-SEAL® *	
			PSX: DIRECT DRIVE	SERIES I OR II	SERIES 306
12" (300mm)	1222ANB	1222AN	18M OR 20Y	S106-20BWS	N/A
15" (375mm)	1522ANB	1522AN	22L	S106-20WS	S306-22
18" (450mm)	1822ANB	1822AN	26L	S206-26	S306-26
24" (600mm)	2422ANB	2422AN	32L	S206-32	S306-32
30" (750mm)	3022ANB	3022AN	40S	S206-40	S306-40
36" (900mm)	3622ANB	3622AN	46S	S206-46	S306-46
36" BNQ/CSA (900mm)	3622ANEAB	N/A	N/A	S206-46L	S306-46L
42" (1050mm)	4222ANB	4222AN	N/A	S206-52L	N/A

NOTES:

PERFORMANCE HIGHLY DEPENDENT ON INSTALLATION. CONTRACTOR MUST ENSURE MANHOLE GASKET IS UNIFORMLY SEATED AROUND STRUCTURE ADAPTER. EXTRA PRECAUTIONS MUST BE TAKEN TO PREVENT DIFFERENTIAL SETTLEMENT BETWEEN THE PIPE AND MANHOLE.

SEE STANDARD DETAIL STD-201 AND TECHNICAL NOTE: 5.04 HDPE CONNECTIONS TO MANHOLES AND STRUCTURES FOR INSTALLATION RECOMMENDATIONS.

* THIRD PARTY - CODES AS SUPPLIED BY MANUFACTURER
 PSX Systems are a product of PRESS-SEAL GASKET CORPORATION. (www.press-seal.com)
 KOR-N-SEAL is a registered trademark of NPC, Inc. (www.npc.com)

© 2019 ADS, INC.

ADVANCED DRAINAGE SYSTEMS, INC. ("ADS") HAS PREPARED THIS DETAIL BASED ON INFORMATION PROVIDED TO ADS. THIS DRAWING IS INTENDED TO DEPICT THE COMPONENTS AS REQUESTED. ADS HAS NOT PERFORMED ANY ENGINEERING OR DESIGN SERVICES FOR THIS PROJECT, NOR HAS ADS INDEPENDENTLY VERIFIED THE INFORMATION SUPPLIED. THE INSTALLATION DETAILS PROVIDED HEREIN ARE GENERAL RECOMMENDATIONS AND ARE NOT SPECIFIC FOR THIS PROJECT. THE DESIGN ENGINEER SHALL REVIEW THESE DETAILS PRIOR TO CONSTRUCTION. IT IS THE DESIGN ENGINEERS RESPONSIBILITY TO ENSURE THE DETAILS PROVIDED HEREIN MEETS OR EXCEEDS THE APPLICABLE NATIONAL, STATE, OR LOCAL REQUIREMENTS AND TO ENSURE THAT THE DETAILS PROVIDED HEREIN ARE ACCEPTABLE FOR THIS PROJECT.

9	UPDATED DETAIL AND TABLE	AMT	09-09-19		
REV.	DESCRIPTION	BY	MM/DD/YY	CHK'D	

12"-42" HDPE N-12 BOOTED (CORED OR CAST HOLE) STRUCTURE CONNECTION	
DRAWING NUMBER:	STD-204B



4640 TRUEMAN BLVD
 HILLIARD, OHIO 43026

DRAWN BY:	CKS
DATE:	10/10/06
CR'D BY:	
SCALE:	NTS
SHEET:	1 OF 1