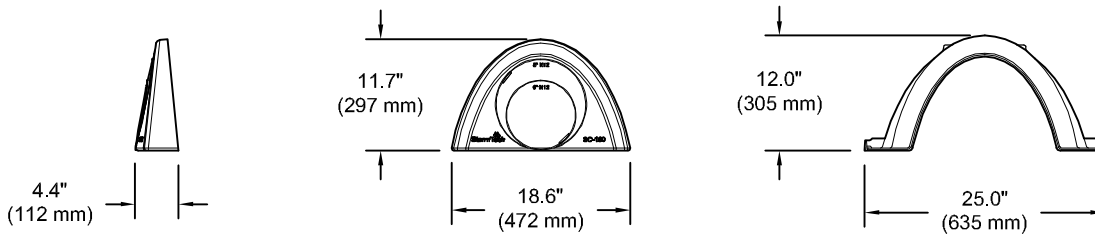
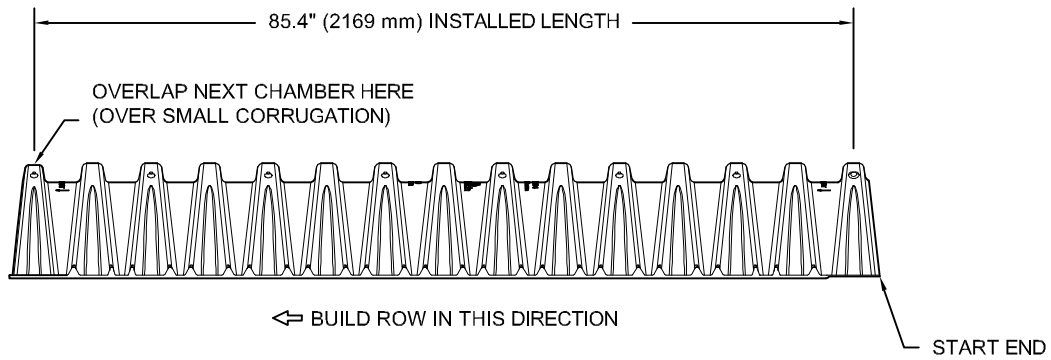
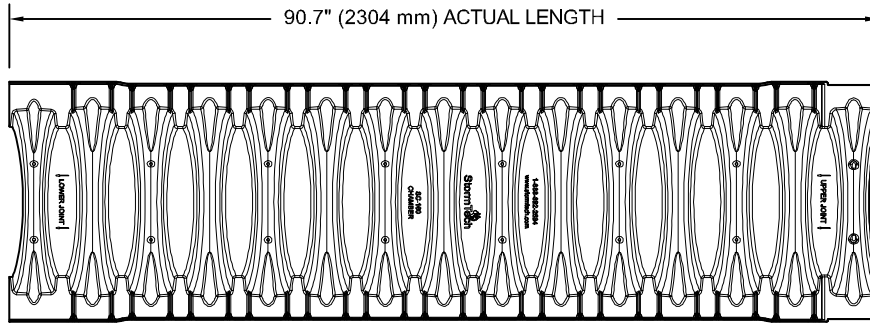


SC-160LP TECHNICAL SPECIFICATION

NTS



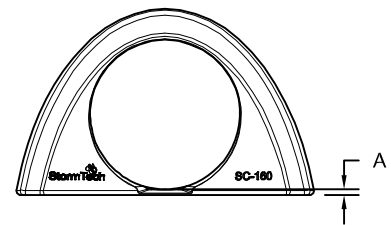
NOMINAL CHAMBER SPECIFICATIONS

SIZE (W X H X INSTALLED LENGTH)	25.0" X 12.0" X 85.4"	(635 mm X 305 mm X 2169 mm)
CHAMBER STORAGE	6.85 CUBIC FEET	(0.19 m ³)
MINIMUM INSTALLED STORAGE*	16.0 CUBIC FEET	(0.45 m ³)
WEIGHT	24.0 lbs.	(10.9 kg)

*ASSUMES 6" (152 mm) ABOVE, 6" (152 mm) BELOW, AND STONE BETWEEN CHAMBERS WITH 40% STONE POROSITY.

PART #	STUB	A
SC160IEPP	6" (150 mm)	0.66" (16 mm)
	8" (200 mm)	0.80" (20 mm)
SC160IEPP08	8" (200 mm)	0.96" (24 mm)

ALL STUBS ARE PLACED AT BOTTOM OF END CAP SUCH THAT THE OUTSIDE DIAMETER OF THE STUB IS FLUSH WITH THE BOTTOM OF THE END CAP. FOR ADDITIONAL INFORMATION CONTACT STORMTECH AT 1-888-892-2694.



NOTE: ALL DIMENSIONS ARE NOMINAL