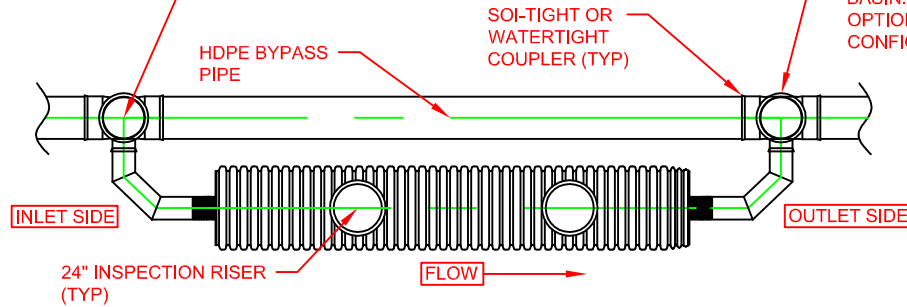
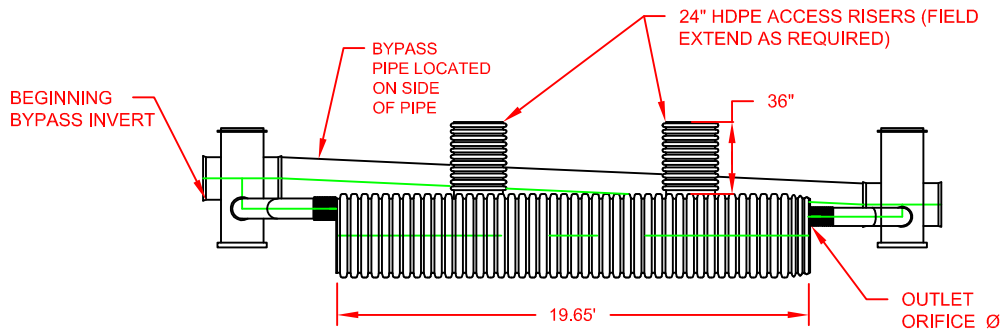


SHOWN AS NYLOPLAST BASIN.
SEE STRUCTURE OPTIONS FOR
ALTERNATE CONFIGURATIONS.



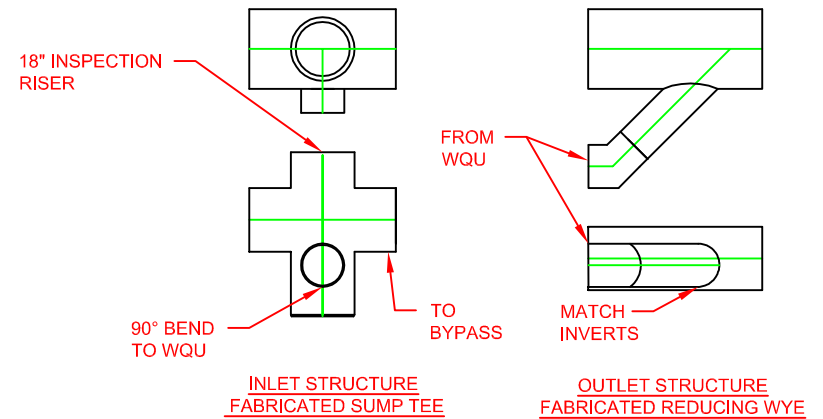
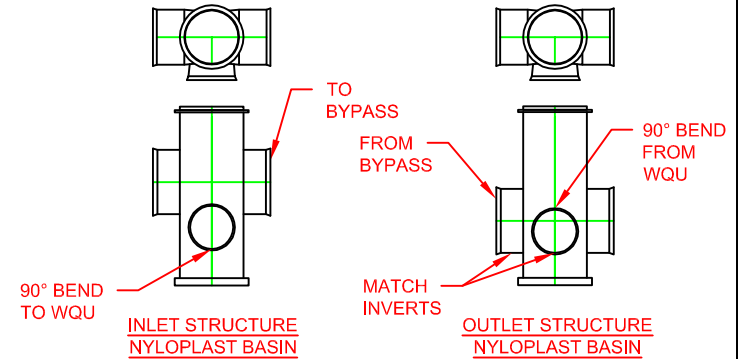
PLAN VIEW



PROFILE VIEW

STRUCTURE OPTIONS

- FITTING DIMENSIONS VARY WITH UNIT DESIGN, DIMENSIONS CAN BE PROVIDED ONCE DESIGN IS EVALUATED.
- COMBINATIONS OF NYLOPLAST BASINS AND FABRICATED FITTINGS ARE AVAILABLE
- STRUCTURES BY OTHERS MAY BE USED.



NOTES:

1. SEE STANDARD DETAILS STD-501 AND STD-502 FOR STORM WATER QUALITY UNIT PRODUCT DETAILS.
2. REFERENCE TECHNICAL NOTE 1.03 FOR ADDITIONAL DESIGN INFORMATION.
3. ELEVATION CHANGE DENOTES THE ELEVATION DROP FROM INVERT OF BYPASS AT INLET TO INVERT OF BYPASS AT OUTLET.

MODEL #	MAIN PIPE DIA.	SIEVE SIZE	PARTICLE SIZE (CM)	TREATED FLOW RATE (CFS)	INLET Ø	OUTLET Ø	OUTLET ORIFICE Ø	ELEVATION CHANGE*
3620WQAXX	36"	140	0.0106	1.5	10"	10"	7.82"	11.9"
3620WQBXX	36"	200	0.0075	0.7	10"	10"	5.35"	11.9"


XX DENOTES A BY-PASS SIZE OF 12", 15", 18", 24", 30", 36", 42", 48", OR 60"
XX=00 DENOTES UNITS W/OUT A BY-PASS.

* ELEVATION CHANGE FOR UNITS WITHOUT A BY-PASS IS 2"

© 2016 ADS, INC.

1	FORMATTING UPDATES AND RENAMED	TJR	02/17/16		
REV.	DESCRIPTION	BY	MM/DD/YY	CHK'D	

ADVANCED DRAINAGE SYSTEMS, INC. ("ADS") HAS PREPARED THIS DETAIL BASED ON INFORMATION PROVIDED TO ADS. THIS DRAWING IS INTENDED TO DEPICT THE COMPONENTS AS REQUESTED. ADS HAS NOT PERFORMED ANY ENGINEERING OR DESIGN SERVICES FOR THIS PROJECT, NOR HAS ADS INDEPENDENTLY VERIFIED THE INFORMATION SUPPLIED. THE INSTALLATION DETAILS PROVIDED HEREIN ARE GENERAL RECOMMENDATIONS AND ARE NOT SPECIFIC FOR THIS PROJECT. THE DESIGN ENGINEER SHALL REVIEW THESE DETAILS PRIOR TO CONSTRUCTION. IT IS THE DESIGN ENGINEERS RESPONSIBILITY TO ENSURE THE DETAILS PROVIDED HEREIN MEETS OR EXCEEDS THE APPLICABLE NATIONAL, STATE, OR LOCAL REQUIREMENTS AND TO ENSURE THAT THE DETAILS PROVIDED HEREIN ARE ACCEPTABLE FOR THIS PROJECT.

36in 20ft WQU		 ADVANCED DRAINAGE SYSTEMS, INC.	DATE: 7/17/08	DRAWN BY: CKS
DRAWING NUMBER: STD-503			HILLIARD, OHIO 43026	SCALE: NTS
			SHEET: OF	