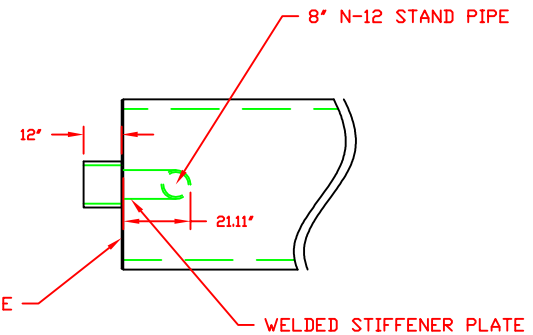
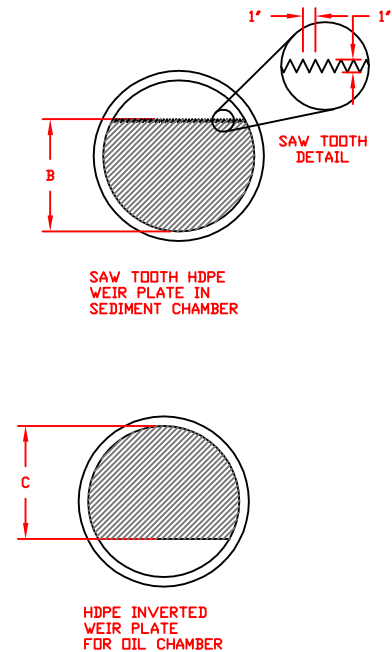


MODEL #	MAIN PIPE DIA.	TREAT. FLOW RATE	SIEVE SIZE	INLET STUB DIA.	OUTLET STUB DIA.	ORIFICE DIA.	A	B	C	D
3620WQAXX	36"	1.50 CFS	140	10"	10"	7.82"	13.9"	26"	24"	24"
3620WQBXX	36"	0.7 CFS	200	10"	10"	5.35"	13.9"	26"	24"	24"
4220WQAXX	42"	1.75 CFS	140	12"	12"	8.13"	16.1"	30"	30"	28"
4220WQBXX	42"	0.86 CFS	200	12"	12"	5.70"	16.1"	30"	30"	28"
4820WQAXX	48"	2.26 CFS	140	12"	12"	9.24"	16.1"	36"	36"	34"
4820WQBXX	48"	1.13 CFS	200	12"	12"	6.53"	16.1"	36"	36"	34"
6020WQAXX	60"	2.95 CFS	140	15"	15"	10.05"	18.9"	45"	48"	43"
6020WQBXX	60"	1.47 CFS	200	15"	15"	7.1"	18.9"	45"	48"	43"

XX DENOTES A BY-PASS SIZE OF 15", 18", 24", 30", 36", 42", 48", OR 60"
 XX=00 DENOTES UNITS W/OUT A BY-PASS.



DISPERSION BAFFLE DETAIL (TOP VIEW)


NOTES:

1. ALL DIMENSIONS ARE NOMINAL
2. ALL FITTING CONNECTIONS WILL BE MADE USING A STANDARD BELL/BELL OR SPLIT COUPLER

© 2016 ADS, INC.

3	FORMATTING UPDATES AND RENAMED	TJR	02/17/16	
REV.	DESCRIPTION	BY	MM/DD/YY	CHK'D

ADVANCED DRAINAGE SYSTEMS, INC. ("ADS") HAS PREPARED THIS DETAIL BASED ON INFORMATION PROVIDED TO ADS. THIS DRAWING IS INTENDED TO DEPICT THE COMPONENTS AS REQUESTED. ADS HAS NOT PERFORMED ANY ENGINEERING OR DESIGN SERVICES FOR THIS PROJECT, NOR HAS ADS INDEPENDENTLY VERIFIED THE INFORMATION SUPPLIED. THE INSTALLATION DETAILS PROVIDED HEREIN ARE GENERAL RECOMMENDATIONS AND ARE NOT SPECIFIC FOR THIS PROJECT. THE DESIGN ENGINEER SHALL REVIEW THESE DETAILS PRIOR TO CONSTRUCTION. IT IS THE DESIGN ENGINEERS RESPONSIBILITY TO ENSURE THE DETAILS PROVIDED HEREIN MEETS OR EXCEEDS THE APPLICABLE NATIONAL, STATE, OR LOCAL REQUIREMENTS AND TO ENSURE THAT THE DETAILS PROVIDED HEREIN ARE ACCEPTABLE FOR THIS PROJECT.

20ft WQU PRODUCT DETAIL		 ADVANCED DRAINAGE SYSTEMS, INC.	4640 TRUEMAN BLVD HILLIARD, OHIO 43026
DRAWING NUMBER: STD-501			DATE: 10/26/06
		SCALE: NTS	DRWN BY: CKS
			CRTD BY:
			SHEET OF